

- 1. ASHP
- 2. 120mm SWI-ST
- 3. SWI-EX Extension Tube cut to length
- 4. 10mm Threaded bar, fixed using Chemical Anchor Resin. 60-80 mm embedment

Securing ASHP

DRAWING TITLE: SWI_ST-ASHP



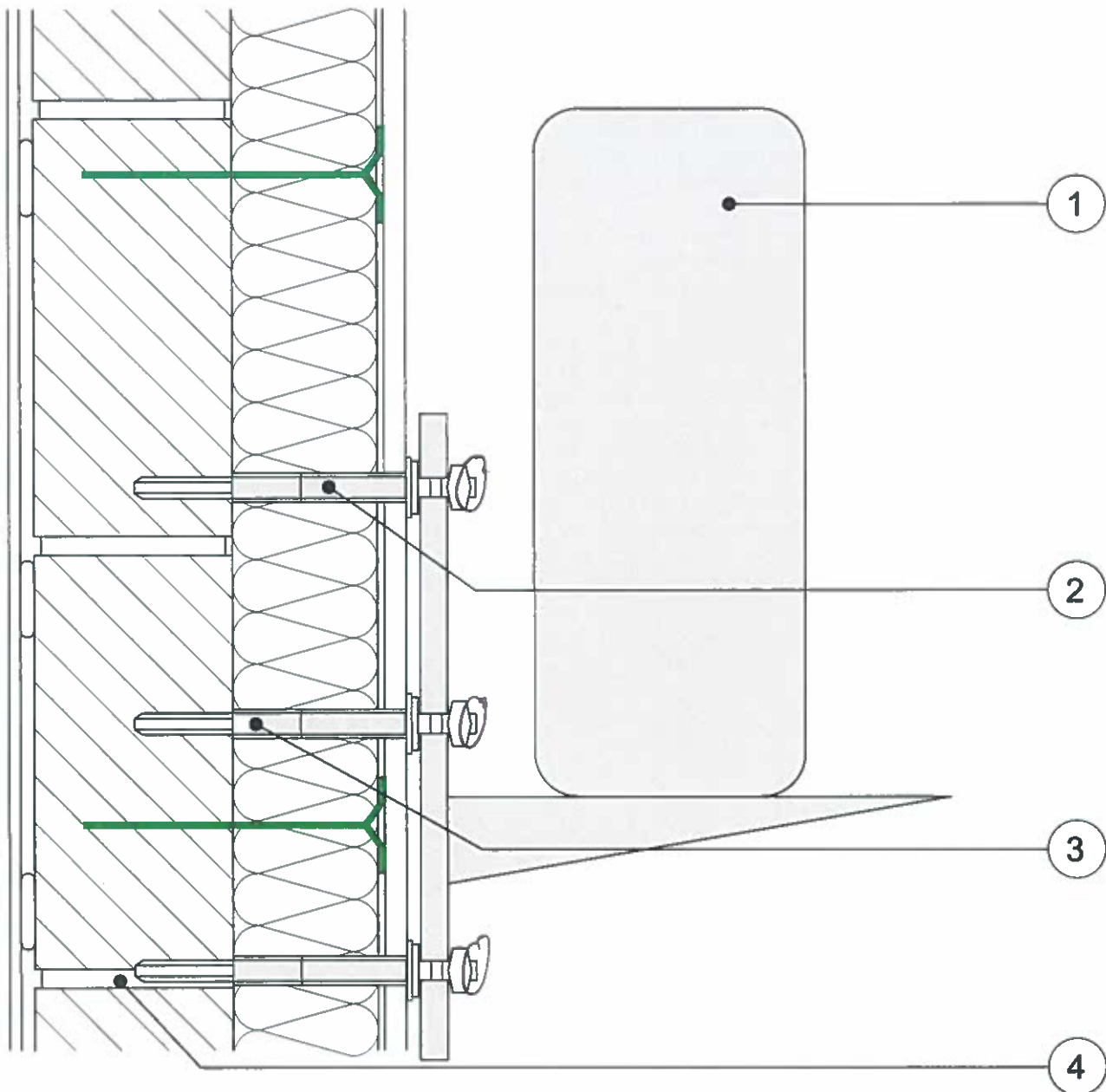
DRAWING No: EP - 001

DATE: 26-08-2022

SCALE: NTS

REFERENCES:

EWI Pro Insulation Systems LTD.
Kingston Business Centre Unit 1
Fullers Way South
Chessington KT9 1DQ



- 1. ASHP .
- 2. 120mm SWI-ST .
- 3. SWI-EX Extension Tube cut to length.
- 4. 10mm Threaded bar, fixed using Chemical Anchor Resin. 60-80 mm embedment .

Securing ASHP

DRAWING TITLE: SWI_ST-ASHP

DRAWING No: EP - 001

DATE: 26-08-2022

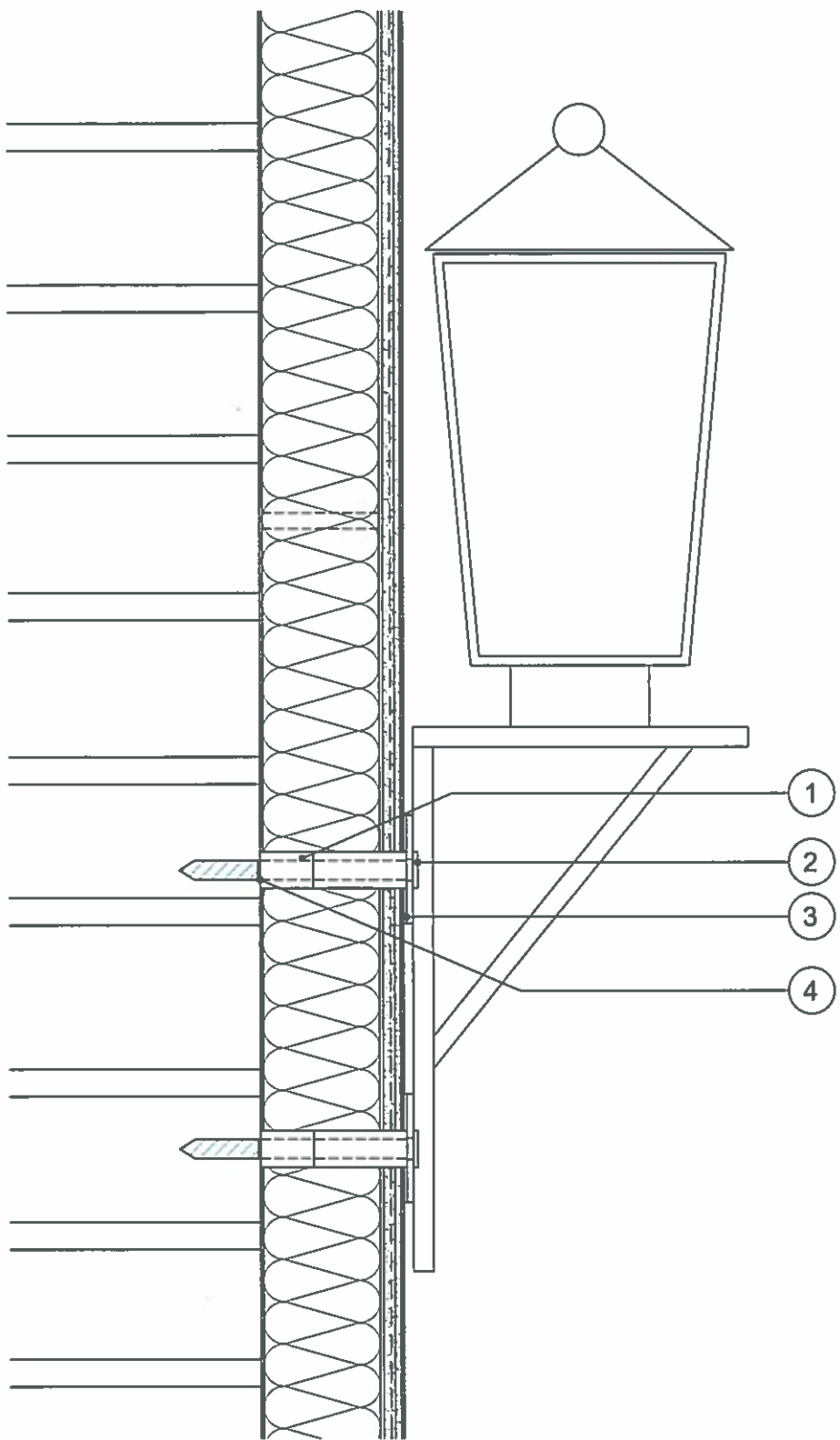
SCALE: NTS

REFERENCES:



www.swifix.co.uk
info@swifix.co.uk





- 1. SWI-ST tube and SWI-EX if depth exceeds 120mm.
- 2. Fixing installed through spacer into substrate.
- 3. Neoprene washer.
- 4. Fixing by Others (site-specific pull-out tests).

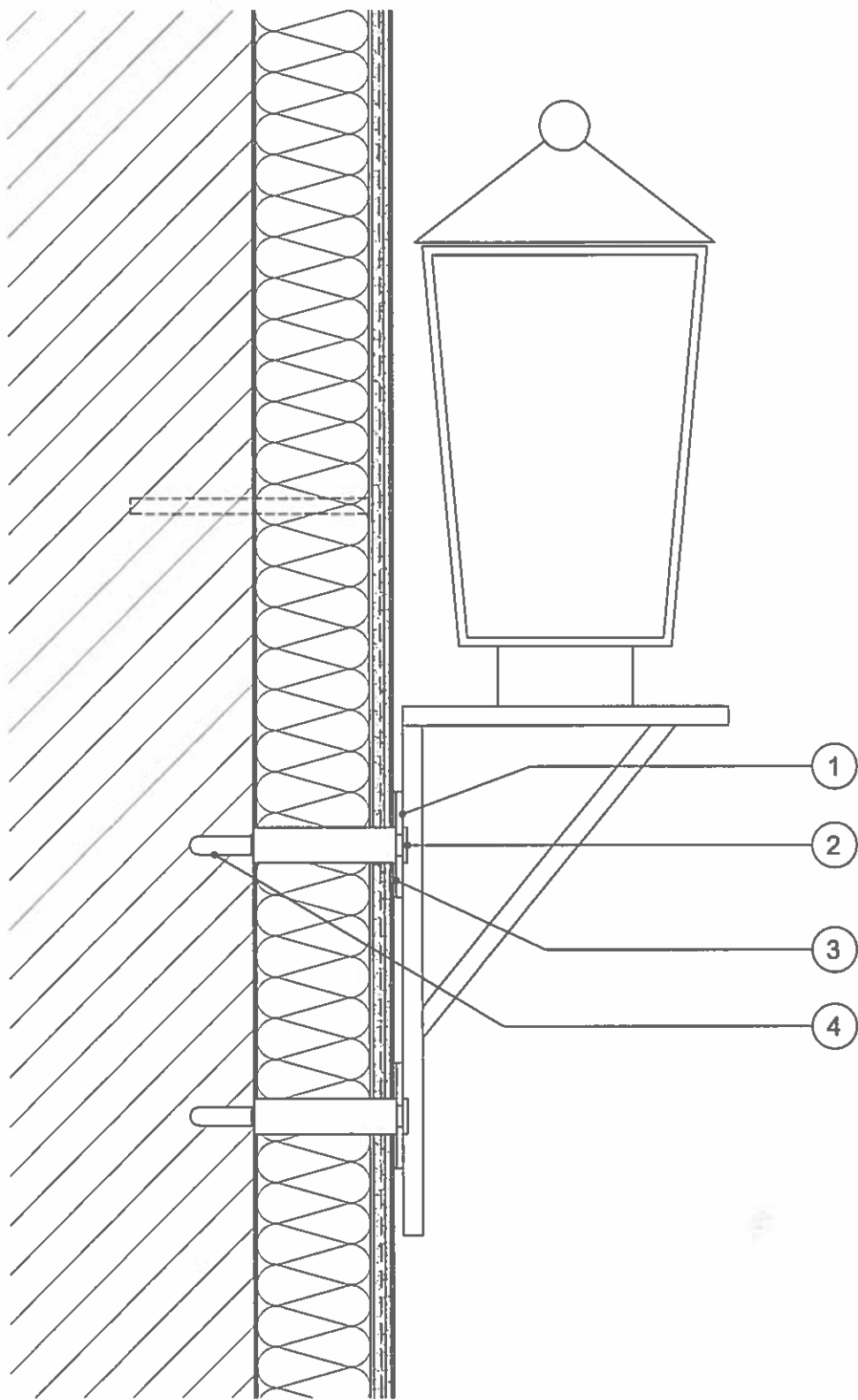
Dependant on depth required multiple Ex tubes may be used. ~~As tapered~~ ensure it is installed the correct way round. For ease of installation, they can be secured using insulation tape.

+(as per tapered part)

DRAWING TITLE: SWIFIX FIXING DETAIL - SWI-ST -EX



DRAWING No: EP - 002	DATE: 26-08-2022	SCALE: NTS	REFERENCES:	EWIPRO Insulation Systems LTD. Kingston Business Centre Unit 1 Fullers Way South Chessington KT9 1DQ
----------------------	------------------	------------	-------------	---



- 1. SWI-ST tube/
- 2. Fixing installed through spacer into substrate/
- 3. Neoprene washer/
- 4. Fixing by Others/

off light fixture

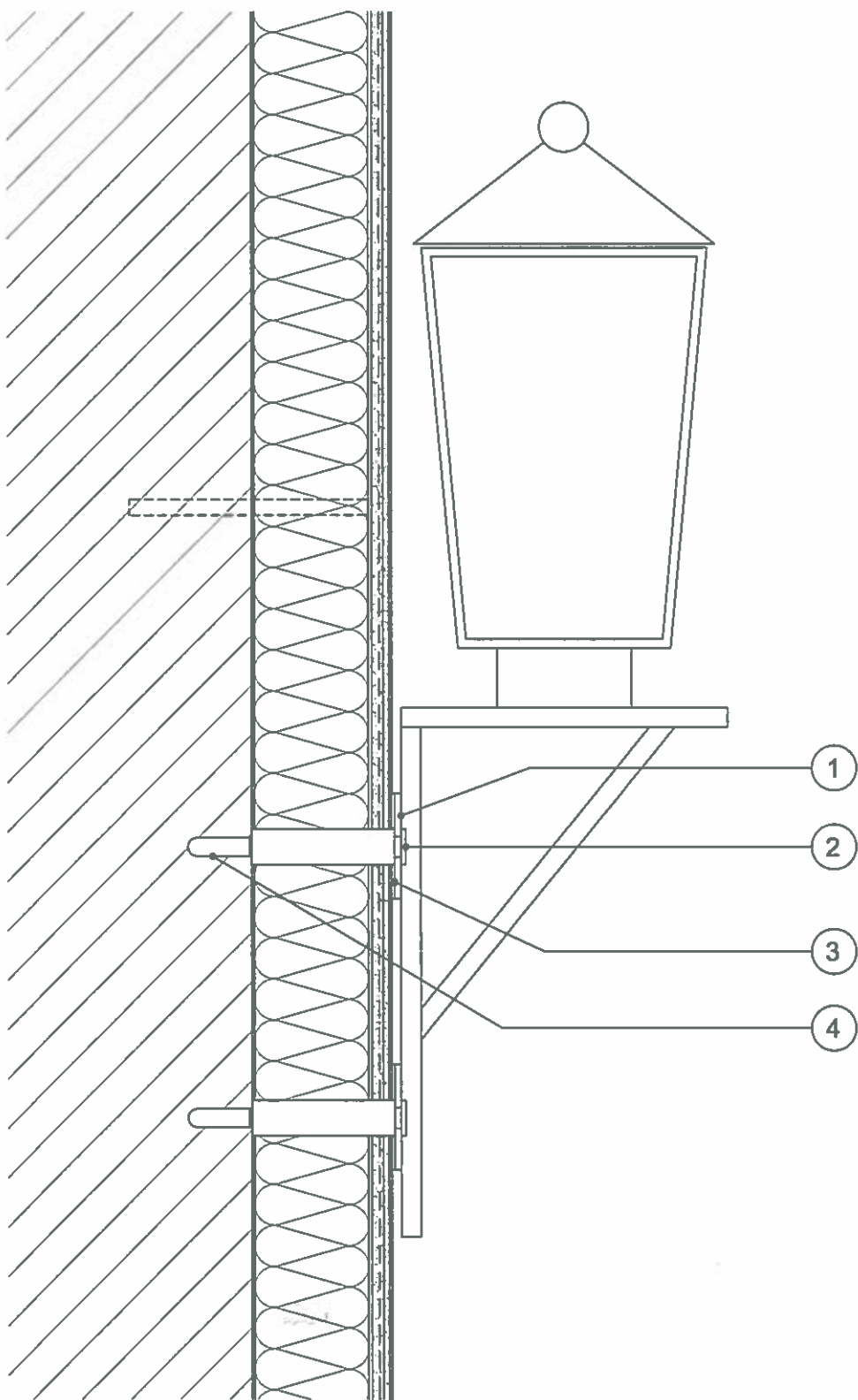
Fitting for downpipes, soil and vent pipes, hanging baskets, hose reels, alarms, lights, gate and fence posts.

DRAWING TITLE: SWIFIX FIXING DETAILS - SWI-ST



DRAWING No: EP - 003	DATE: 26-08-2022	SCALE: NTS	REFERENCES:
----------------------	------------------	------------	-------------

EWI Pro Insulation Systems LTD.
Kingston Business Centre Unit1
Fullers Way South
Chessington KT9 1DQ



- 1. SWI-ST tube.
- 2. Fixing installed through spacer into substrate.
- 3. Neoprene washer.
- 4. Fixing by Others.

Fitting for downpipes, soil and vent pipes, hanging baskets, hose reels, alarms, lights, gate and fence posts.

DRAWING TITLE: SWIFIX FIXING DETAILS - SWI-ST



DRAWING No: EP - 003

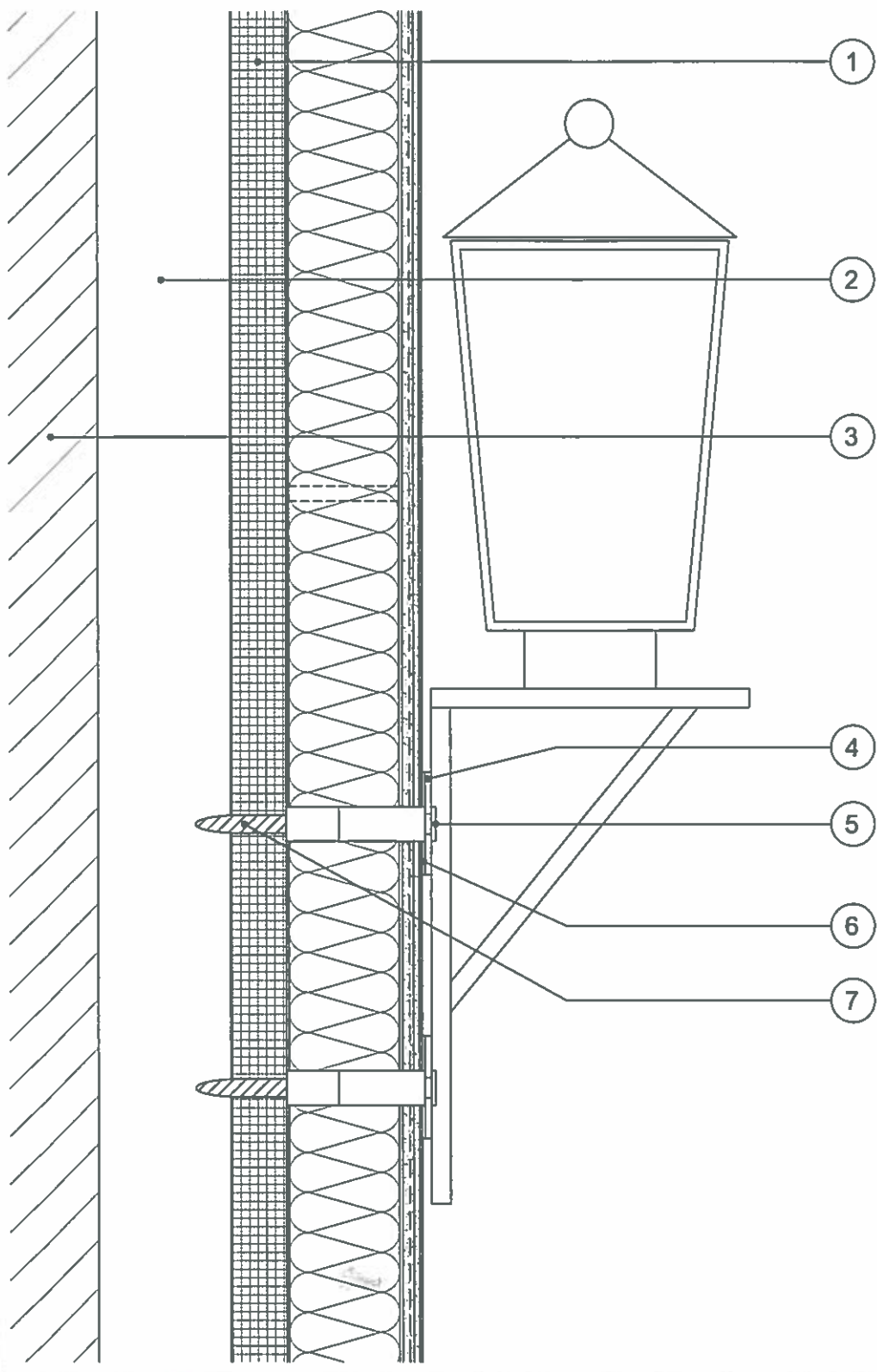
DATE: 26-08-2022

SCALE: NTS

REFERENCES:

www.swifix.co.uk
info@swifix.co.uk





- 1. 12.5mm CP Board
- 2. Void
- 3. Metzec
- 4. SWI-ST tube and SWI-EX if depth exceeds 120mm
- 5. Fixing installed through spacer into substrate
- 6. Neoprene washer
- 7. Fixing by Others (site-specific pull-out tests)

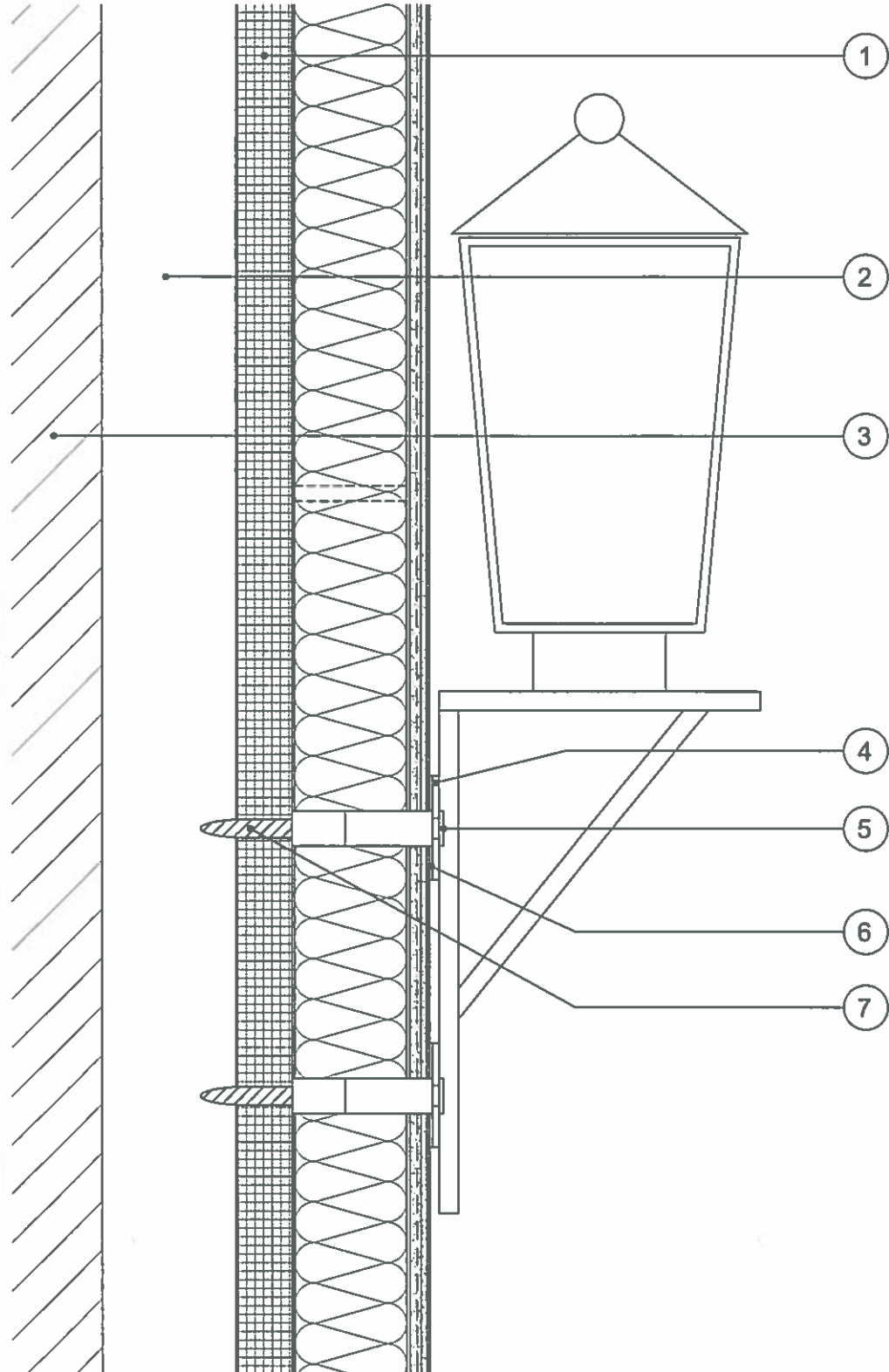
Fitting for downpipes, soil and vent pipes, hanging baskets, hose reels, alarms, lights, gate and fence posts.

maybe 1:5 if first

DRAWING TITLE: SWI-FIX FIXING DETAILS OSB SWI-ST 120mm plus



DRAWING No: EP - 004	DATE: 26-06-2022	SCALE: NTS	REFERENCES:	EWI Pro Insulation Systems LTD. Kingston Business Centre (Unit) Fullers Way South Chessington KT9 1DQ
----------------------	------------------	------------	-------------	--



- 1. 12.5mm CP Board.
- 2. Void.
- 3. Metztec.
- 4. SWI-ST tube and SWI-EX if depth exceeds 120mm.
- 5. Fixing installed through spacer into substrate.
- 6. Neoprene washer.
- 7. Fixing by Others (site-specific pull-out tests).

Fitting for downpipes, soil and vent pipes, hanging baskets, hose reels, alarms, lights, gate and fence posts.

DRAWING TITLE: SWI-FIX FIXING DETAILS OSB SWI-ST 120mm plus



DRAWING No: EP - 004

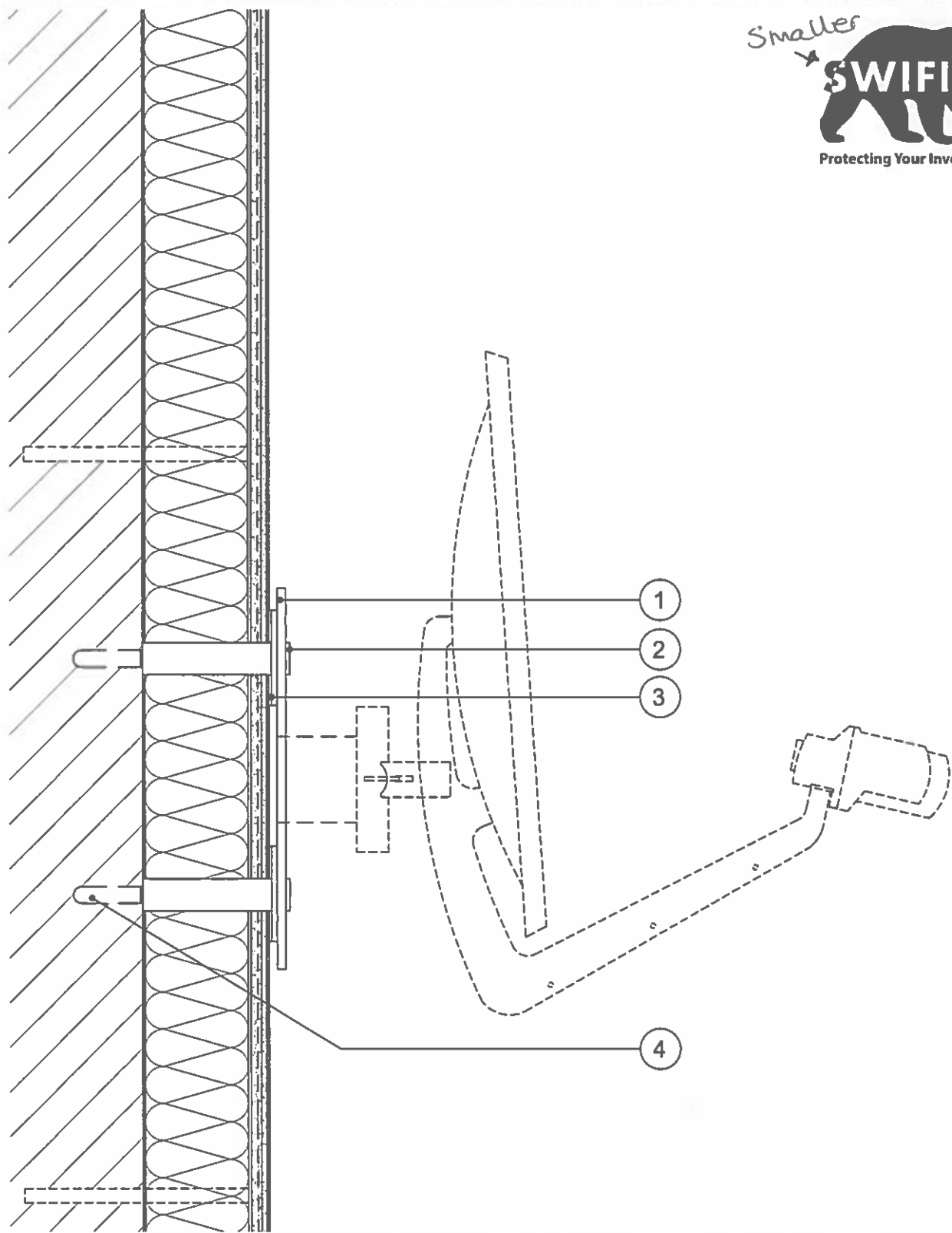
DATE: 26-08-2022

SCALE: NTS

REFERENCES:

www.swifix.co.uk
info@swifix.co.uk





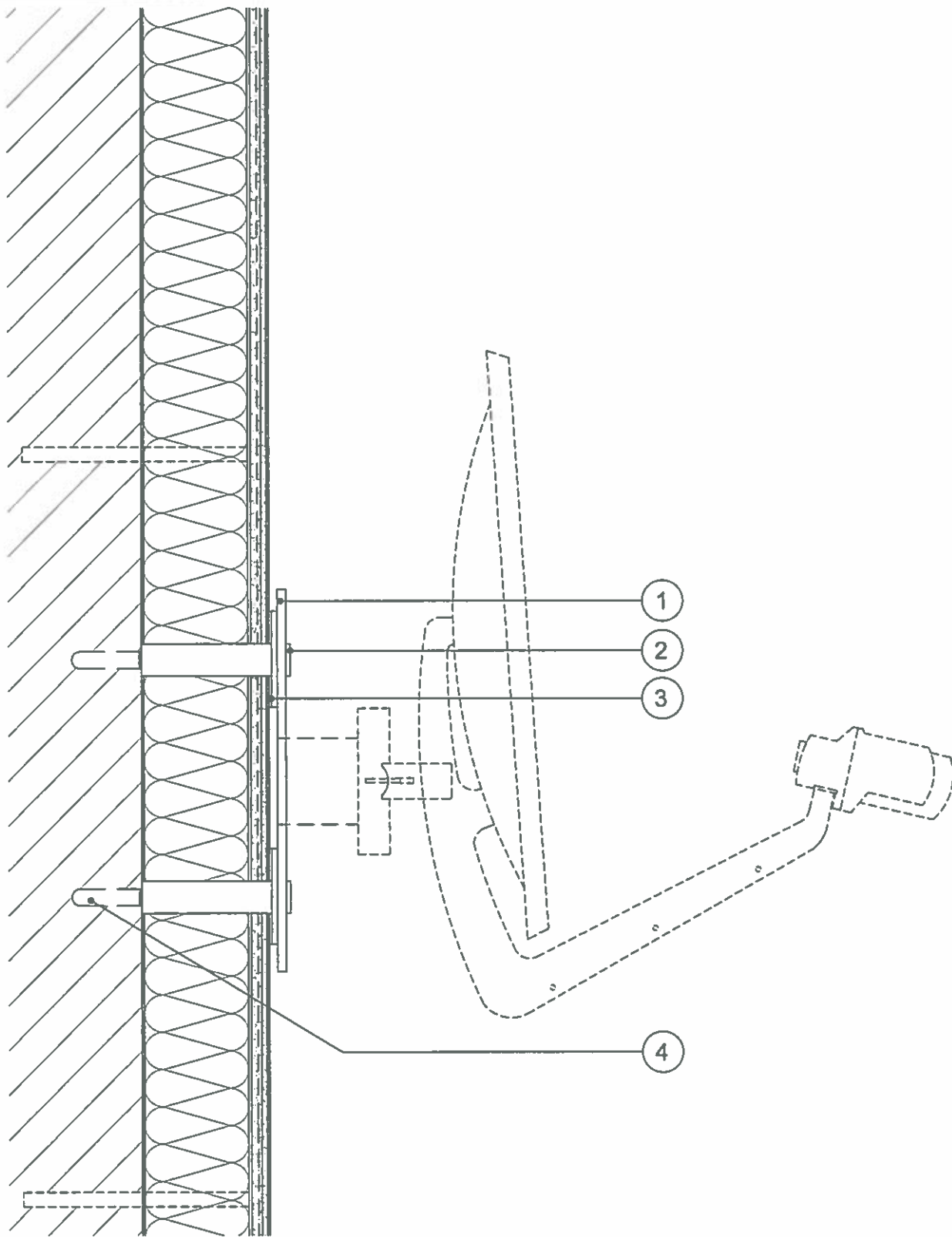
- 1. SWI-SP satellite fixing plate;
- 2. Fixing through spacer into substrate;
- 3. Neoprene washer;
- 4. Fixing by Others;

Fitting plate for a standard satellite dish

DRAWING TITLE: SWIFIX FIXING DETAILS SWI-SP



DRAWING No: EP - 005	DATE: 26-08-2022	SCALE: NTS	REFERENCES:	EWIPRO External wall insulation systems EWI Pro Insulation Systems LTD. Kingston Business Centre Fullers Way South Chessington KT9 1DQ
----------------------	------------------	------------	-------------	---



- 1. SWI-SP satellite fixing plate.
- 2. Fixing through spacer into substrate.
- 3. Neoprene washer.
- 4. Fixing by Others.

Fitting plate for a standard satellite dish

DRAWING TITLE: SWIFIX FIXING DETAILS SWI-SP



DRAWING No: EP - 005

DATE: 26-08-2022

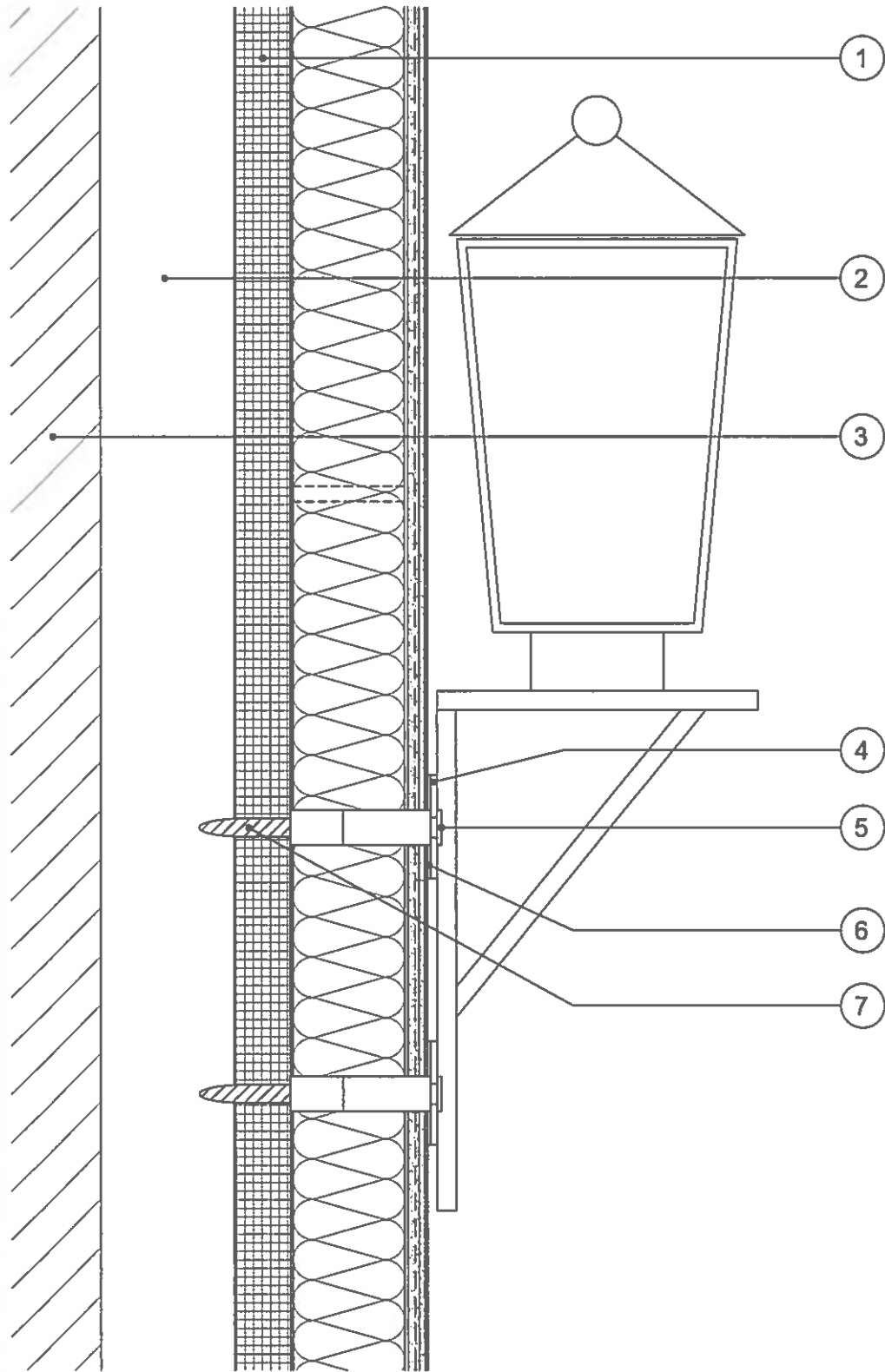
SCALE: NTS

REFERENCES:

www.swifix.co.uk
info@swifix.co.uk



Team



- 1. 12.5mm CP Board,
- 2. Void/
- 3. Metzec,
- 4. SWI-ST tube and SWI-EX if depth exceeds 120mm/
- 5. Fixing installed through spacer into substrate,
- 6. Neoprene washer,
- 7. Fixing by Others (site-specific pull-out tests)/

[Handwritten signature]

Fitting for downpipes, soil and vent pipes, hanging baskets, hose reels, alarms, lights, gate and fence posts.

DRAWING TITLE: SWI-FIX FIXING DETAILS SWI-ST 120mm plus



DRAWING No: EP - 008

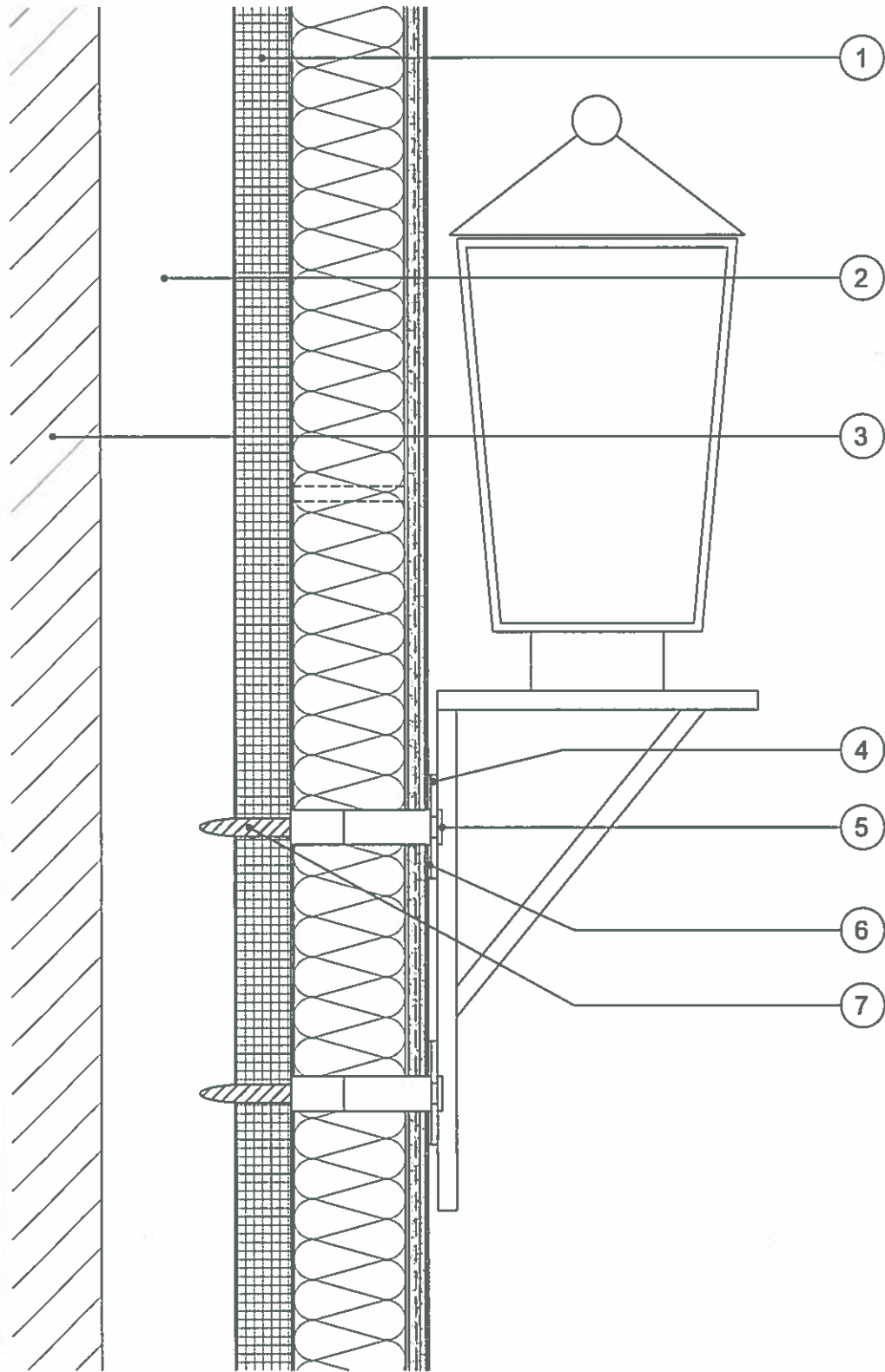
DATE: 26-08-2022

SCALE: NTS

REFERENCES:

EWI Pro Insulation Systems LTD.
Kingston Business Centre Unit 3
Fullers Way South
Chessington KT9 1DQ

[Handwritten signature]



- 1. 12.5mm CP Board.
- 2. Void.
- 3. Metzec.
- 4. SWI-ST tube and SWI-EX if depth exceeds 120mm.
- 5. Fixing installed through spacer into substrate.
- 6. Neoprene washer.
- 7. Fixing by Others (site-specific pull-out tests).

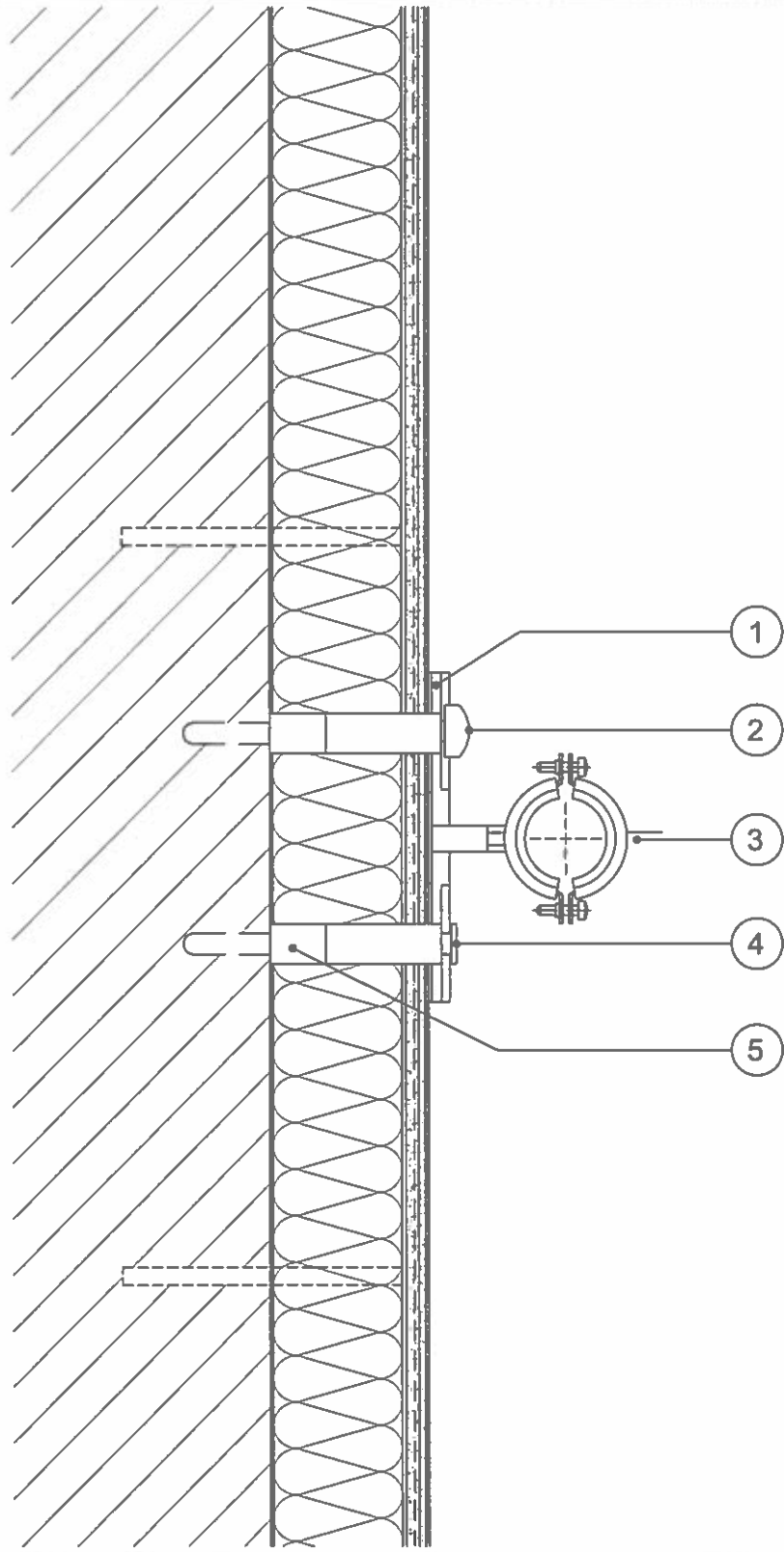
Fitting for downpipes, soil and vent pipes, hanging baskets, hose reels, alarms, lights, gate and fence posts.

DRAWING TITLE: SWI-FIX FIXING DETAILS SWI-ST 120mm plus



DRAWING No: EP - 008	DATE: 26-08-2022	SCALE: NTS	REFERENCES:	www.swifix.co.uk info@swifix.co.uk
----------------------	------------------	------------	-------------	--





- 1. Neoprene washer/
- 2. Screw cap.
- 3. To DIN 4109 M 8 Dimension 3/4" Diameter Range 26 - 28 mm/
- 4. 300mm Rawlplug FF1/
- 5. SWI-EX/

Fitting for gas pipes/

DRAWING TITLE: SWI-FIX FIXING DETAILS SWI-FIX GP GAS PIPE



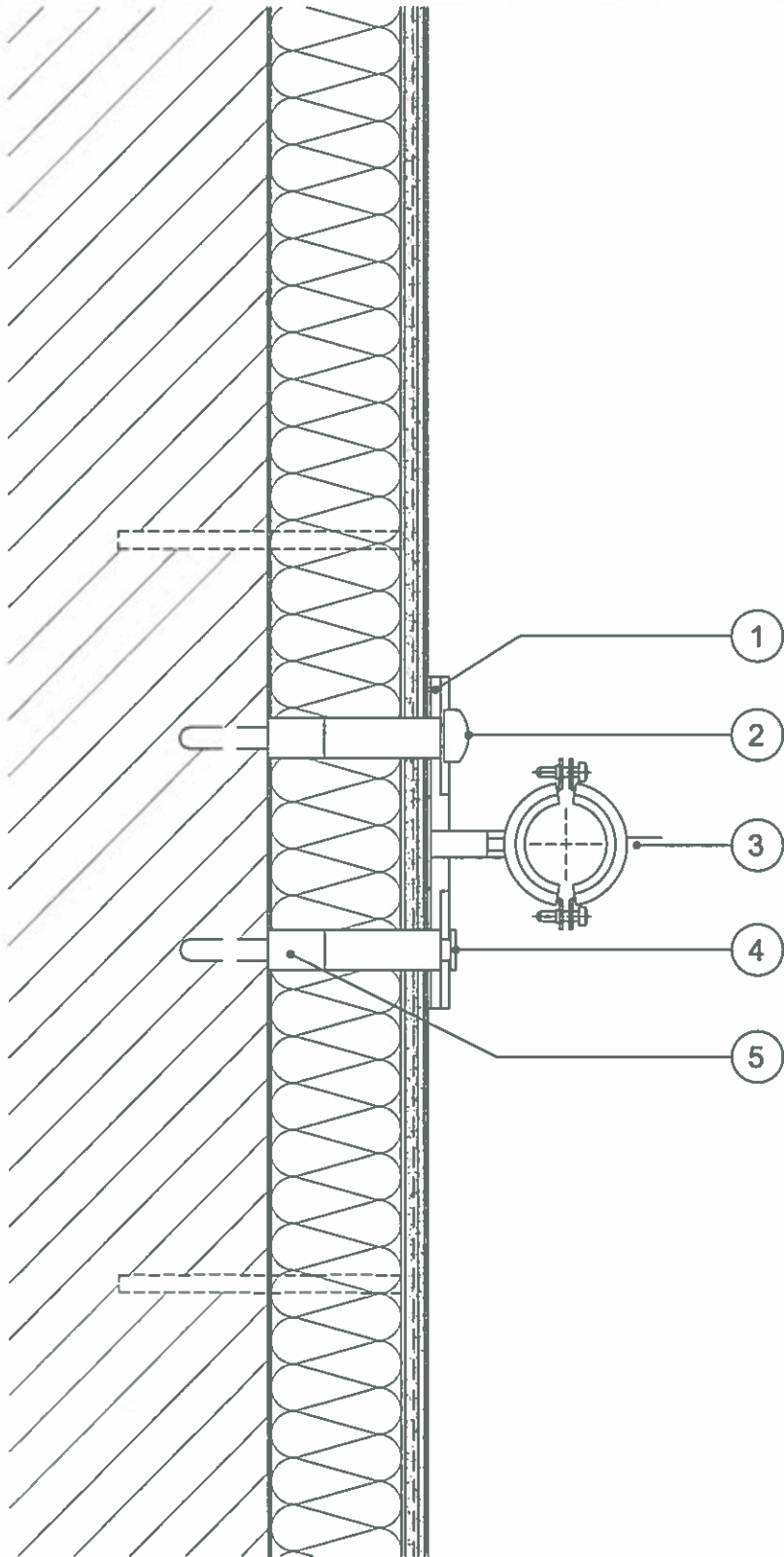
DRAWING No: EP - 007

DATE: 28-08-2022

SCALE: NTS

REFERENCES:

EWI Pro Insulation Systems LTD.
 Kingston Business Centre Unit 1
 Fullers Way South
 Chessington KT9 1DQ



- 1. Neoprene washer.
- 2. Screw cap.
- 3. To DIN 4109 M 8 Dimension 3/4" Diameter Range 26 - 28 mm.
- 4. 300mm Rawplug FF1.
- 5. SWI-EX.

Fitting for gas pipes.

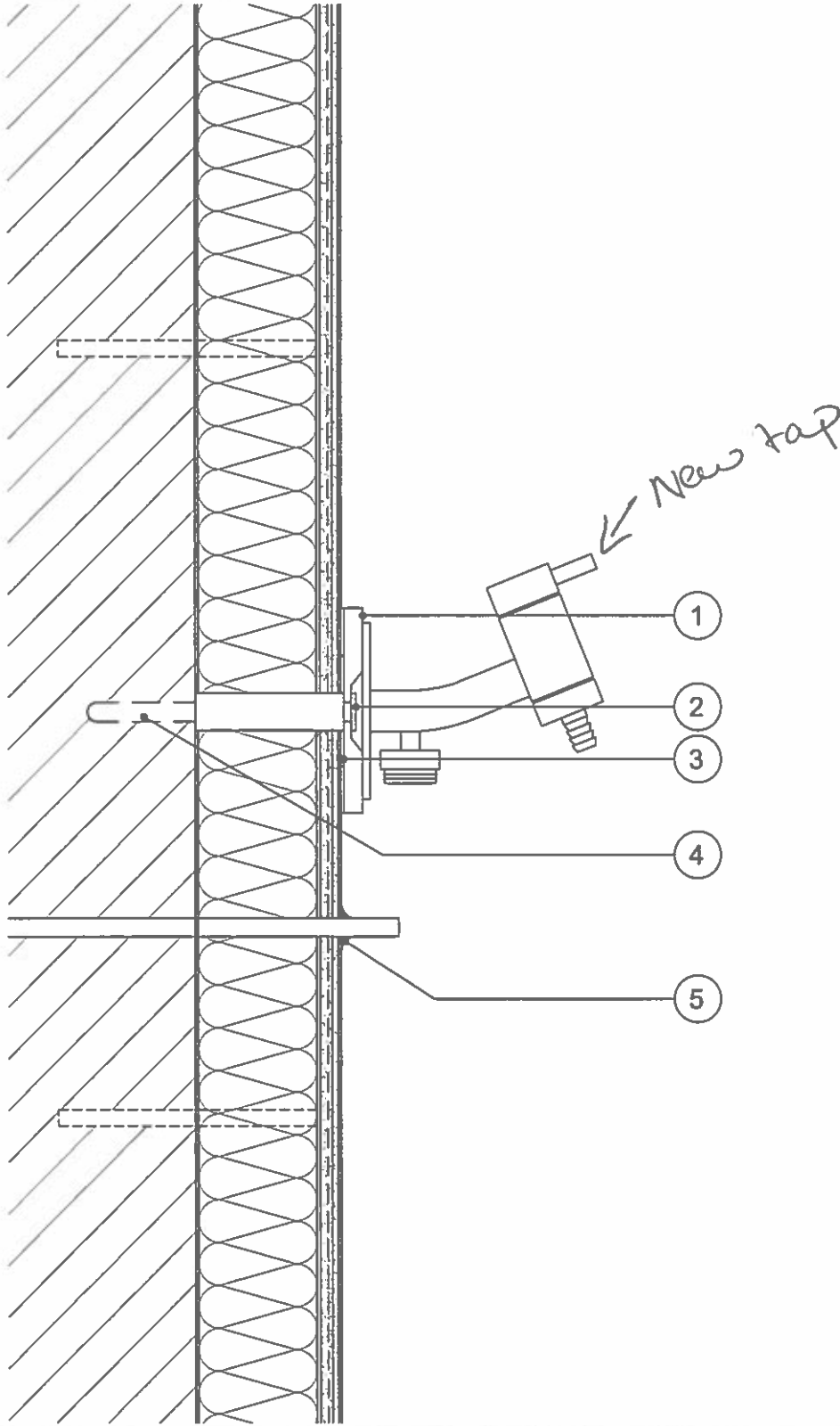
DRAWING TITLE: SWI-FIX FIXING DETAILS SWI-FIX GP GAS PIPE



DRAWING No: EP - 007	DATE: 26-08-2022	SCALE: NTS	REFERENCES:
----------------------	------------------	------------	-------------

www.swifix.co.uk
info@swifix.co.uk





- 1. SWI-TT tap fixing point,
- 2. Fixing through spacer into substrate,
- 3. Neoprene washer,
- 4. Fixing by others!
- 5. Water supply pipe,

Fitting for external taps,

DRAWING TITLE: SWIFIX FIXING DETAILS SWI-TT



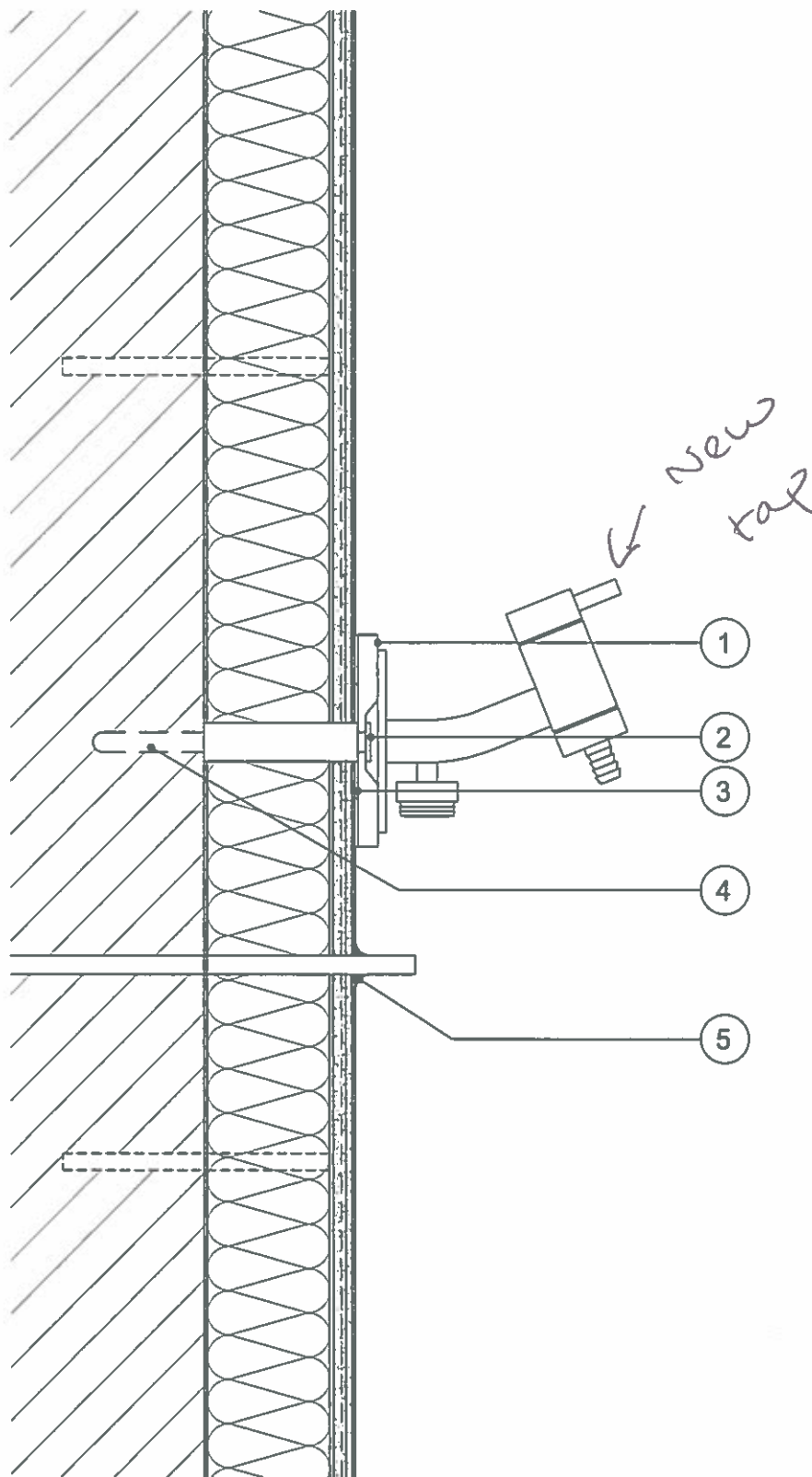
DRAWING No: EP - 008

DATE: 26-08-2022

SCALE: NTS

REFERENCES:

EWI Pro Insulation Systems LTD.
 Kingston Business Centre (Unifi)
 Fullers Way South
 Chessington KT9 1DQ



- 1. SWI-TT tap fixing point.
- 2. Fixing through spacer into substrate.
- 3. Neoprene washer.
- 4. Fixing by others.
- 5. Water supply pipe.

Fitting for external taps.

DRAWING TITLE: SWIFIX FIXING DETAILS SWI-TT



DRAWING No: EP - 008

DATE: 26-08-2022

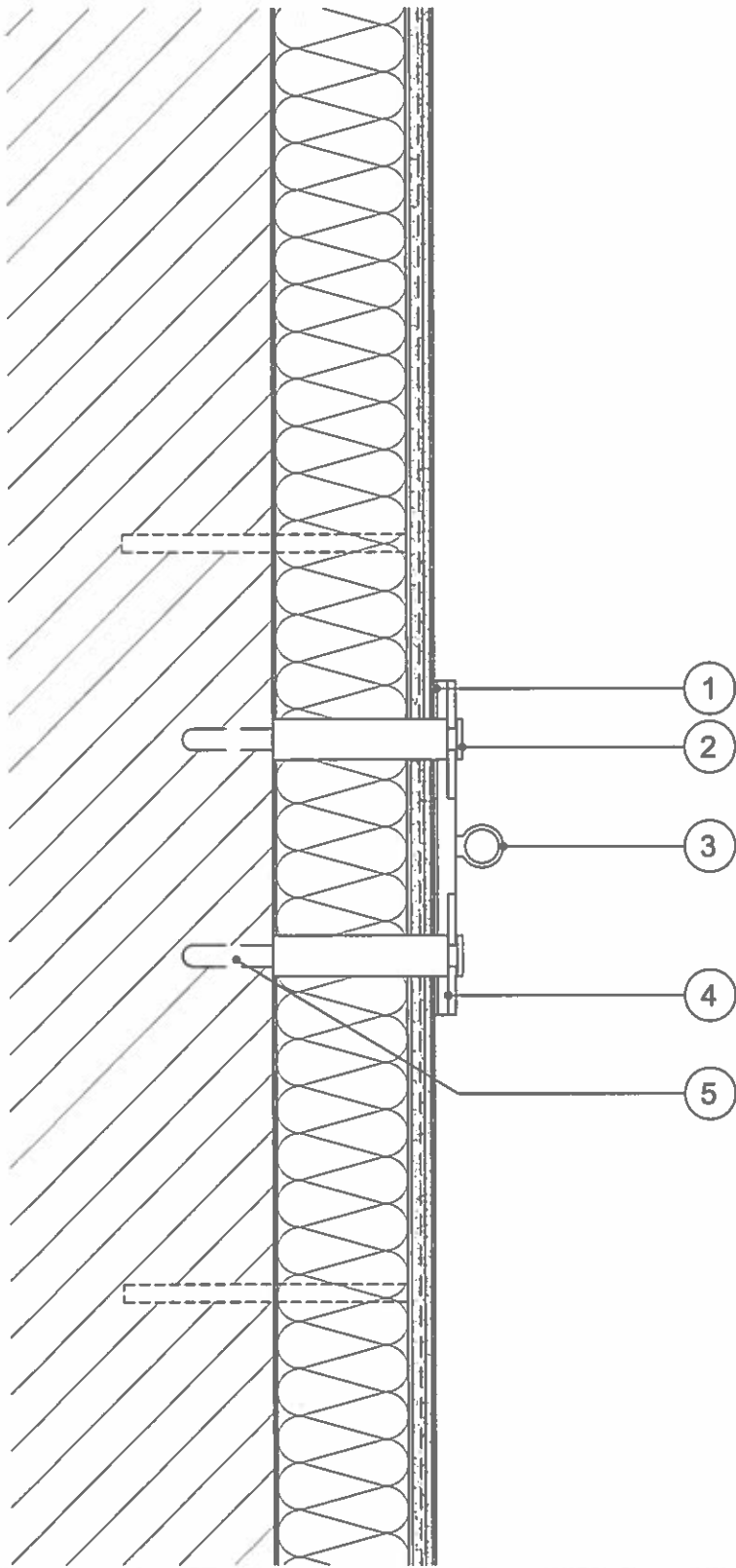
SCALE: NTS

REFERENCES:

www.swifix.co.uk
info@swifix.co.uk



Handwritten signature or mark.



- 1. Neoprene washer,
- 2. Fixing through spacer into substrate,
- 3. SWI-WL Eyelet washing line / fixing point,
- 4. SWI-WL plate,
- 5. Fixing by others,

Fitting for securing cables, washing lines, pigeon netting and hanging baskets

DRAWING TITLE: SWIFIX FIXING DETAILS SWI-WL



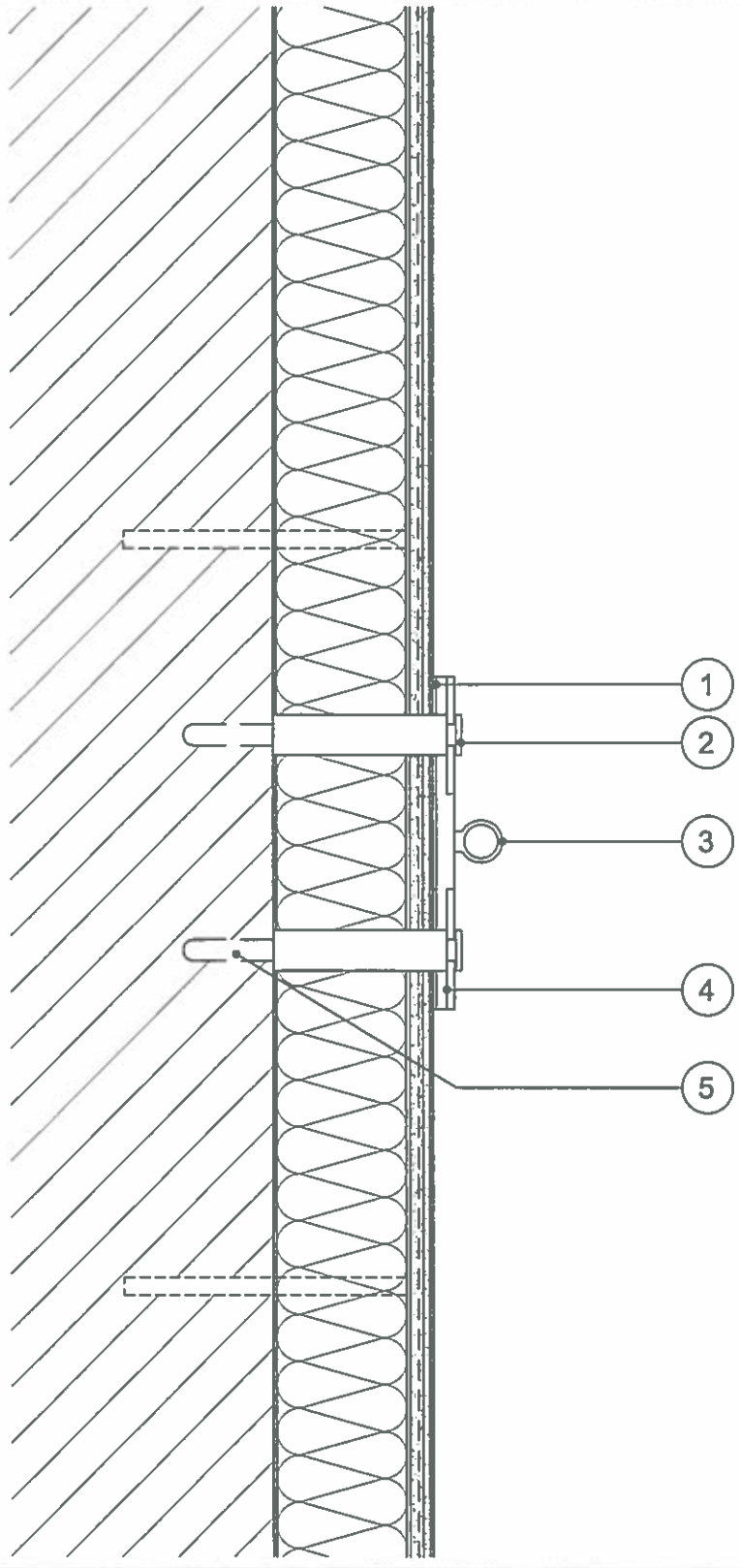
DRAWING No: EP - 009

DATE: 26-08-2022

SCALE: NTS

REFERENCES:

EWI Pro Insulation Systems LTD.
 Kingston Business Centre
 Fullers Way South
 Chessington KT9 1DQ



- 1. Neoprene washer.
- 2. Fixing through spacer into substrate.
- 3. SWI-WL Eyelet washing line / fixing point.
- 4. SWI-WL plate.
- 5. Fixing by others.

Fitting for securing cables, washing lines, pigeon netting and hanging baskets

DRAWING TITLE: SWIFIX FIXING DETAILS SWI-WL



DRAWING No: EP - 009

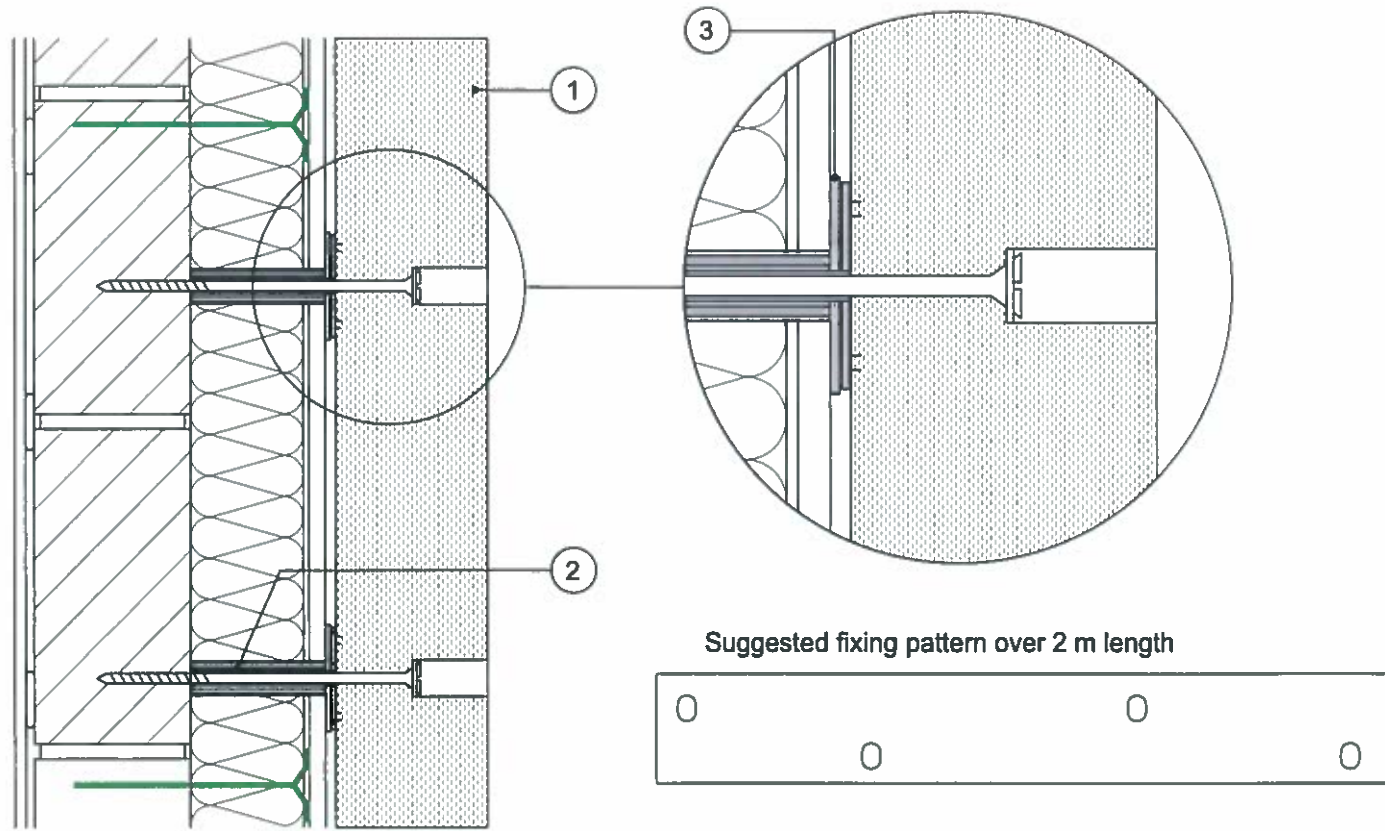
DATE: 26-08-2022

SCALE: NTS

REFERENCES:

www.swifix.co.uk
info@swifix.co.uk





- 1. Timber post;
- 2. Spacer tube to be cut to length to suit on site condition;
- 3. Thermodynamic gasket;

For fixings on fence or gate posts

DRAWING TITLE: SWI-ST Fence and Gate Posts



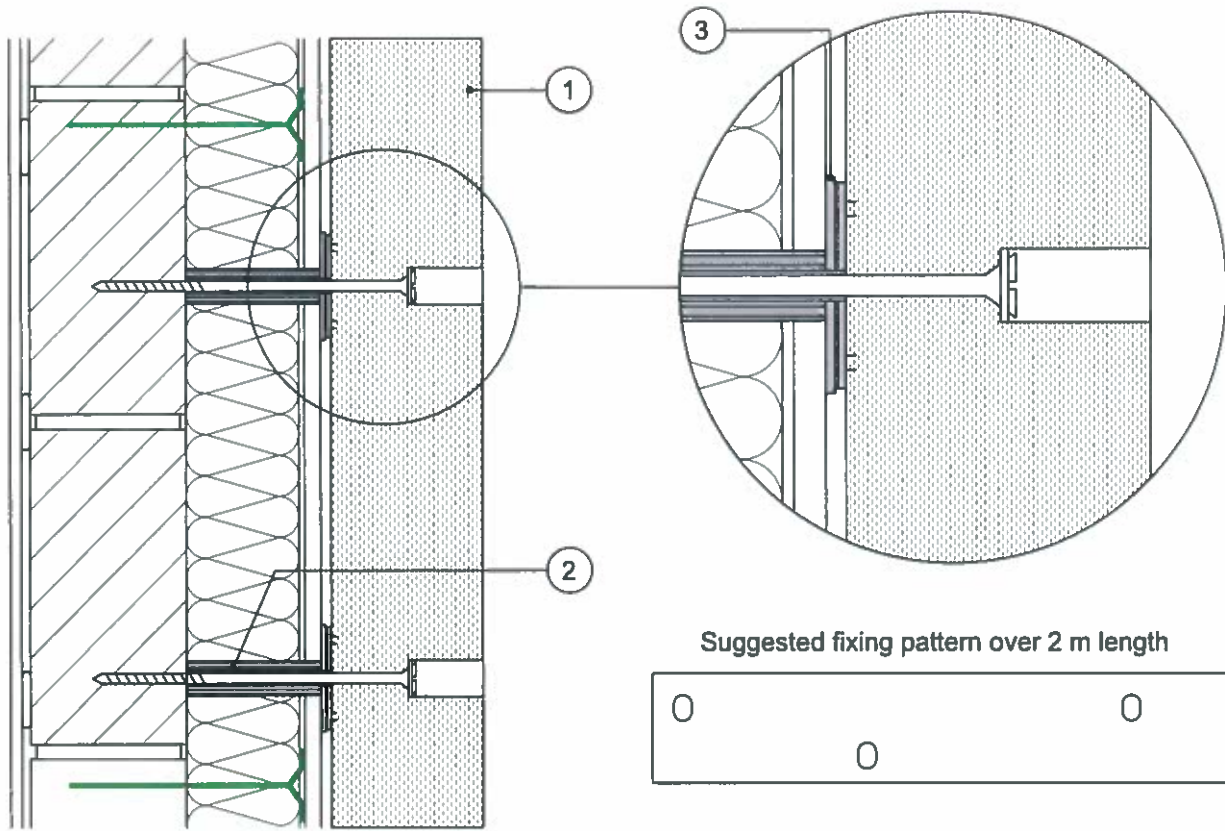
DRAWING No: EP - 010

DATE: 26-08-2022

SCALE: NTS

REFERENCES:

EWI Pro Insulation Systems LTD.
 Kingston Business Centre Unit 1
 Fullers Way South
 Chessington KT9 1DQ



- 1. Timber post.
- 2. Spacer tube to be cut to length to suit on site condition.
- 3. Thermodynamic gasket.

For fixings on fence or gate posts.

DRAWING TITLE: SWI-ST Fence and Gate Posts



DRAWING No: EP - 010

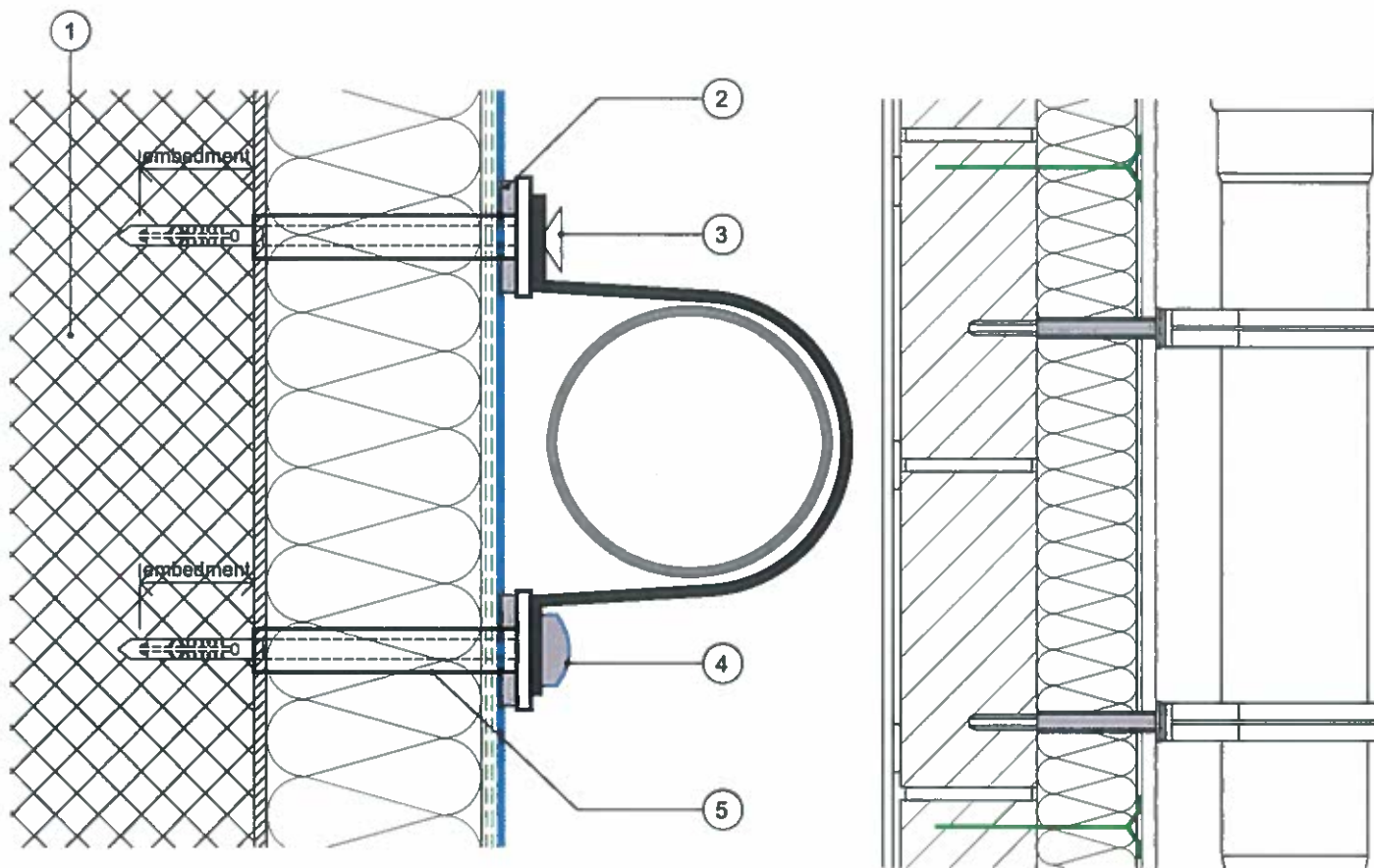
DATE: 26-08-2022

SCALE: NTS

REFERENCES:

www.swifix.co.uk
info@swifix.co.uk





- 1. Fixing,
- 2. Neoprene washer,
- 3. Fixing type dependent on substrate,
- 4. Screw cap cover,
- 5. SWI-ST₁

Fitting for various sized pipework

DRAWING TITLE: SWI-ST RAINWATER GOODS



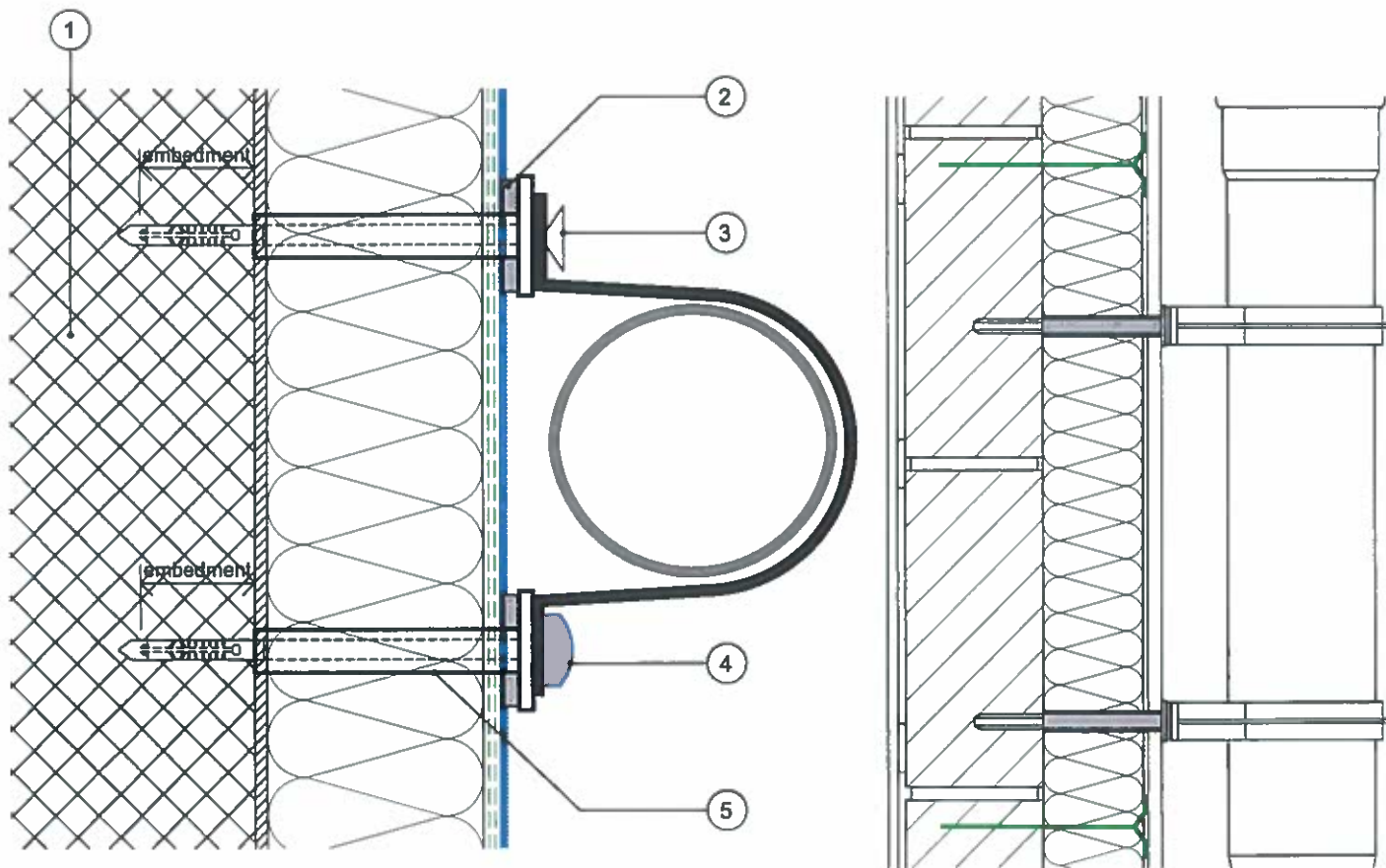
DRAWING No: EP - 011

DATE: 26-08-2022

SCALE: NTS

REFERENCES:

EWI Pro Insulation Systems LTD.
 Kingston Business Centre Unit 1
 Fullers Way South
 Chessington KT9 1DQ



- 1. Fixing.
- 2. Neoprene washer.
- 3. Fixing type dependent on substrate.
- 4. Screw cap cover.
- 5. SWI-ST.

Fitting for various sized pipework.

DRAWING TITLE: SWI-ST RAINWATER GOODS



DRAWING No: EP - 011

DATE: 26-08-2022

SCALE: NTS

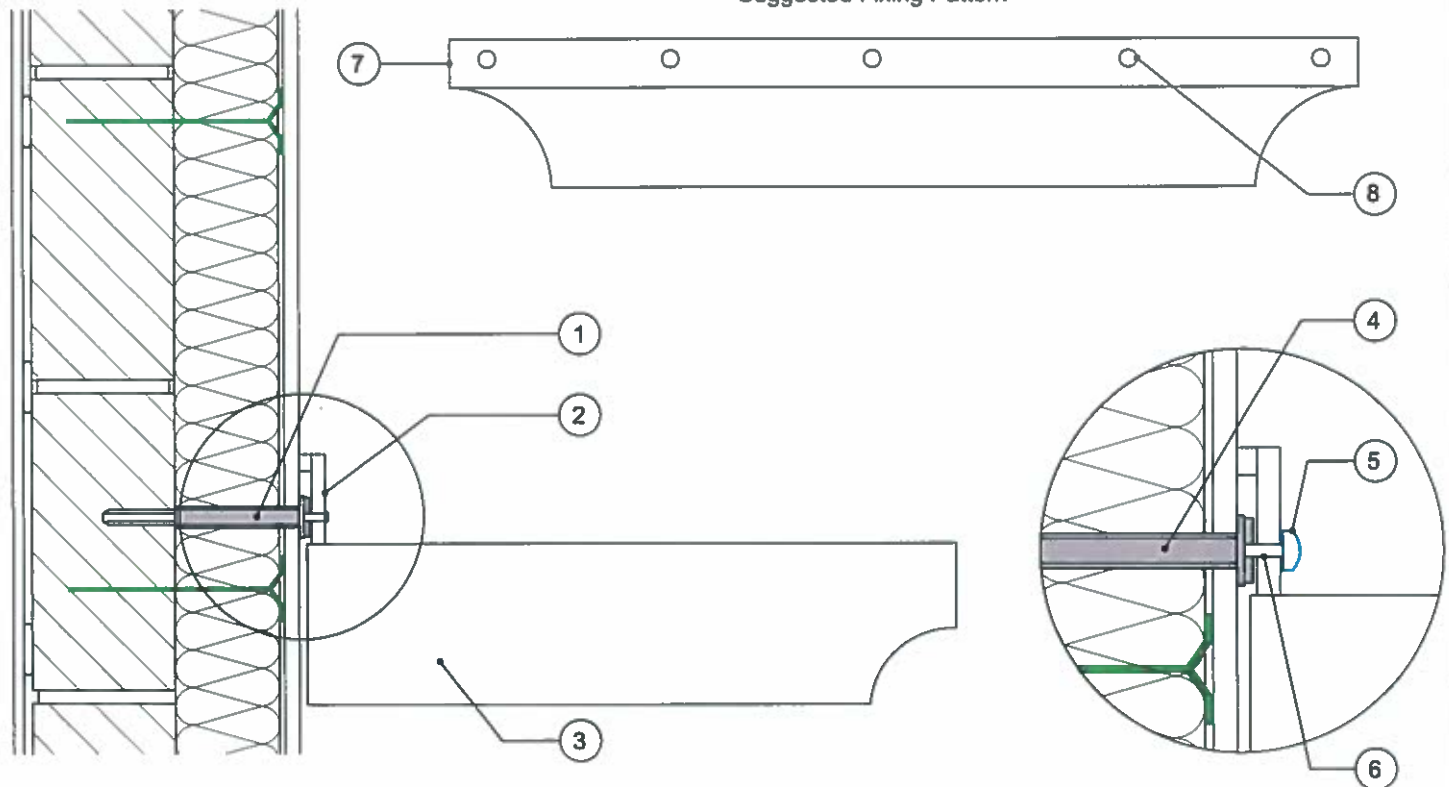
REFERENCES:

www.swifix.co.uk
info@swifix.co.uk





Suggested Fixing Pattern



- 1. SWI-ST Tube cut to length;
- 2. Fixing through upstand of canopy/
- 3. GRP Canopy/
- 4. SWI-ST/
- 5. Screw cap cover/
- 6. Fixing based on substrate to be secured to/
- 7. Upstand/
- 8. Pre drill upstand if required/

Fitting for lights, alarms, signs, hanging baskets, BT& utility boxes, hose reels, house numbers and canopies.

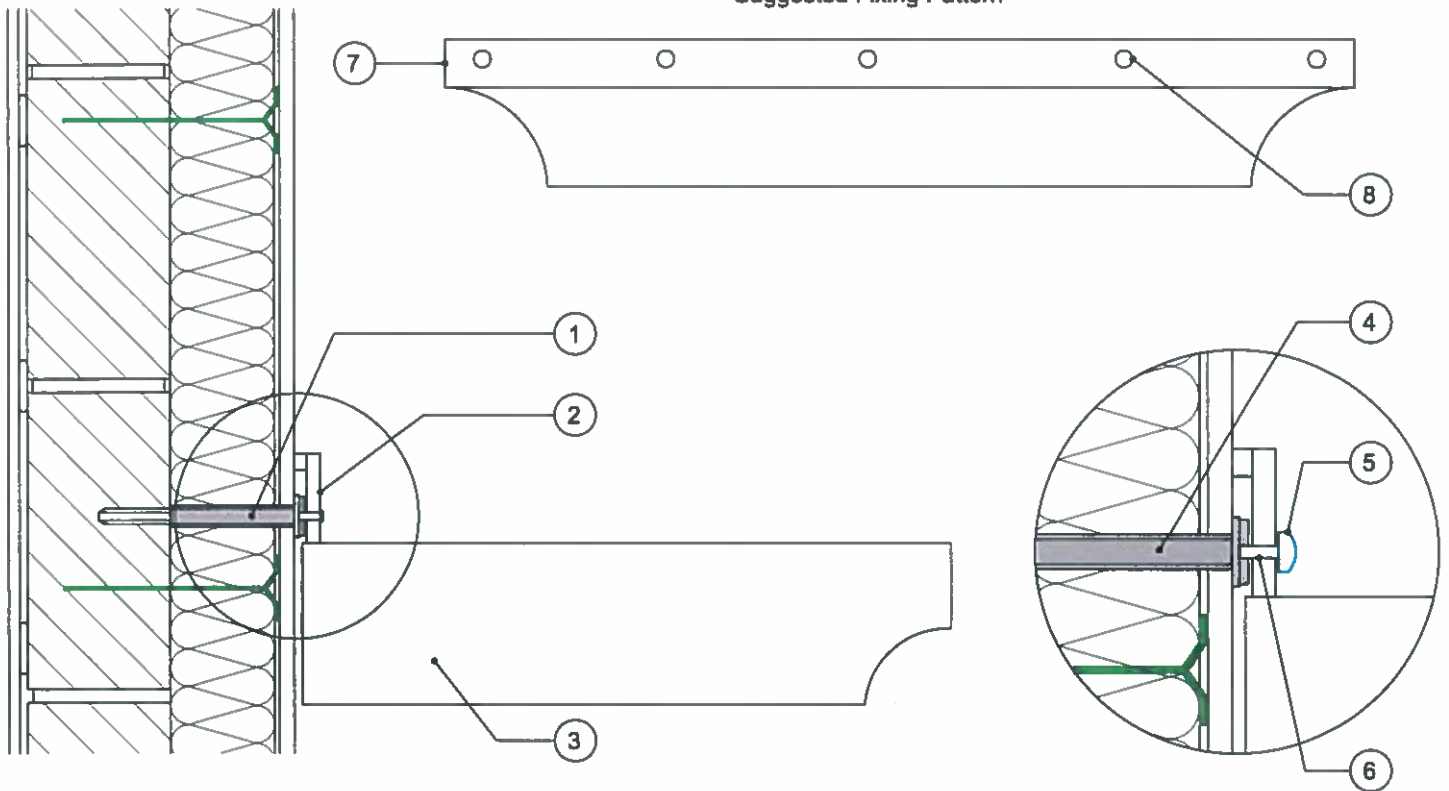
DRAWING TITLE: SW-ST-CANOPY



DRAWING No: EP - 012 DATE: 26-08-2022 SCALE: NTS REFERENCES:

EWI Pro Insulation Systems LTD.
Kingston Business Centre, Unit 1
Fullers Way South
Chessington KT9 1DQ

Suggested Fixing Pattern



- 1. SWI-ST Tube cut to length.
- 2. Fixing through upstand of canopy.
- 3. GRP Canopy.
- 4. SWI-ST.
- 5. Screw cap cover.
- 6. Fixing based on substrate to be secured to.
- 7. Upstand.
- 8. Pre drill upstand if required.

Fitting for lights, alarms, signs, hanging baskets, BT& utility boxes,, hose reels, house numbers and canopies.

DRAWING TITLE: SW-ST-CANOPY

DRAWING No: EP - 012

DATE: 26-08-2022

SCALE: NTS

REFERENCES:



www.swifix.co.uk
info@swifix.co.uk

