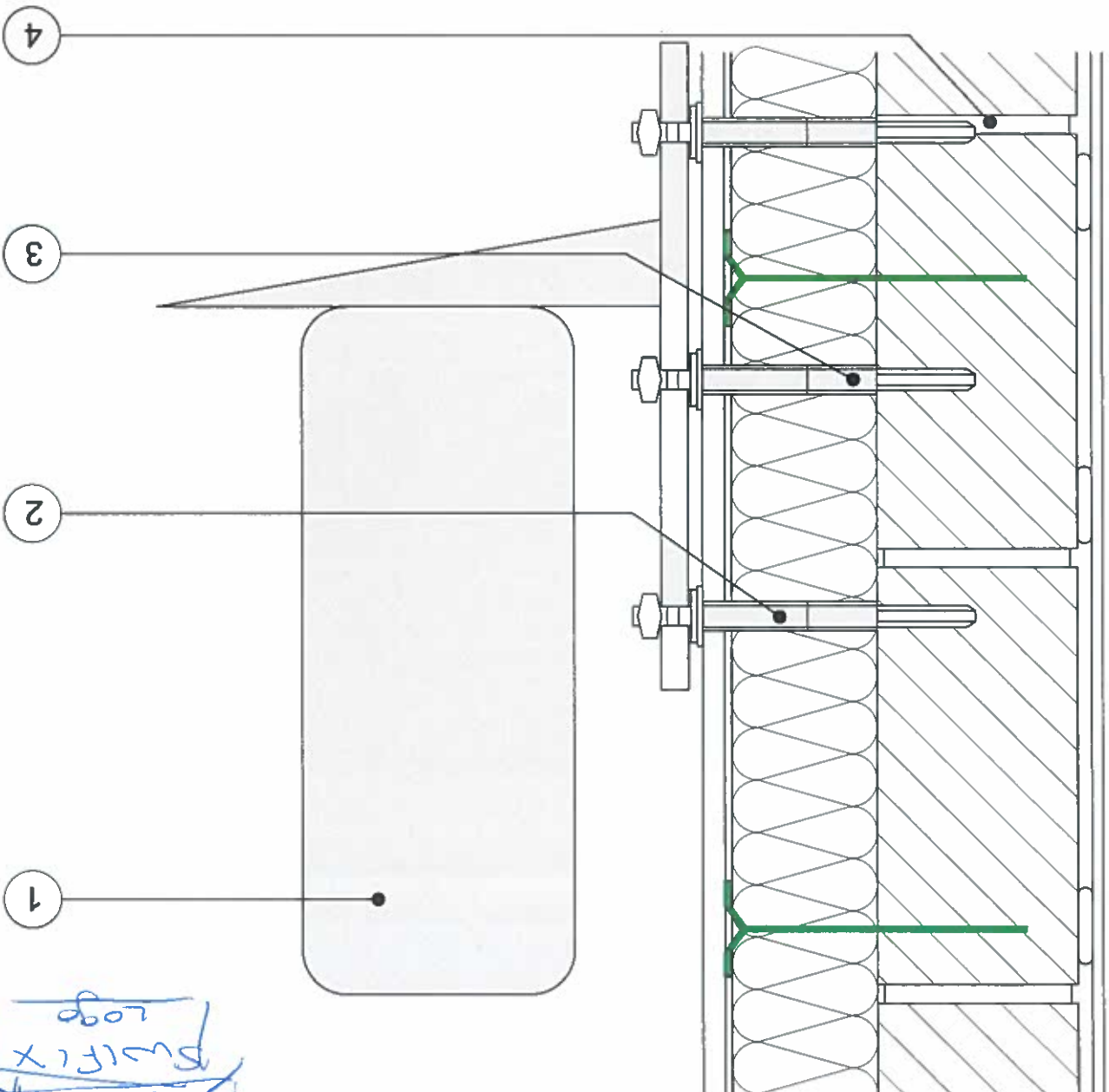


- 1. ASHP
- 2. 120mm SWI-ST
- 3. SWI-EX Extension Tube cut to length
- 4. 10mm Threaded bar, fixed using Chemical Anchor Resin, 60-80 mm embedment.

Securing ASHP



~~SWI-ST  
Layer~~  
~~SWI-EX  
Tube~~  
~~ASHP~~  
~~log~~

Version 2 Ewipro

DRAWING No: EP - 001

DATE: 26-08-2022

SCALE: NTS

REFERENCES:

DRAWING TITLE: SWI-ST-ASHP

EWIPRO External wall insulation systems  
125, The Insulation Systems LTD.  
Kingston Business Centre Unit 1  
Fullers Way South  
Chestington KT9 1DQ

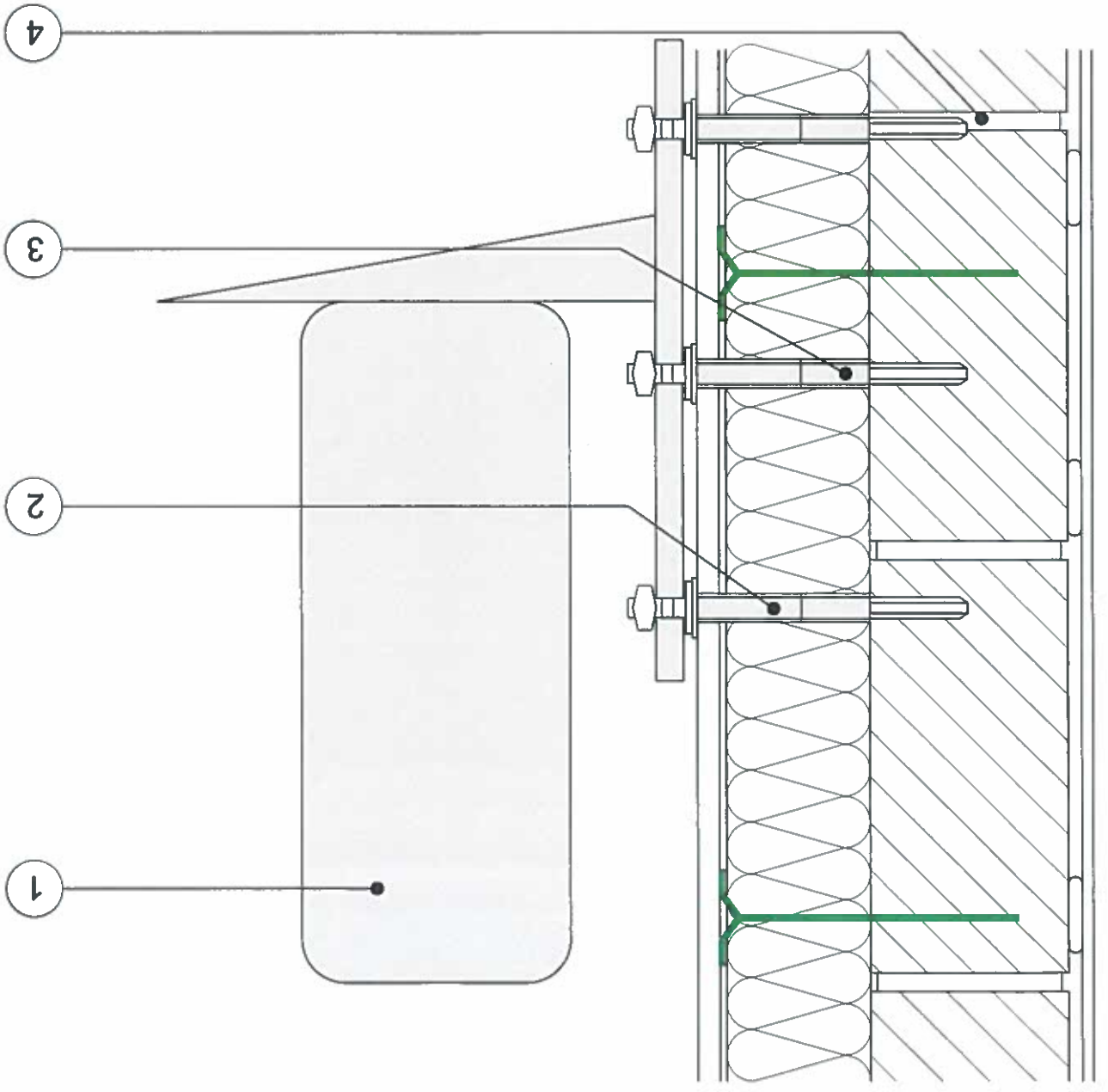


swifix.co.uk  
info@swifix.co.uk

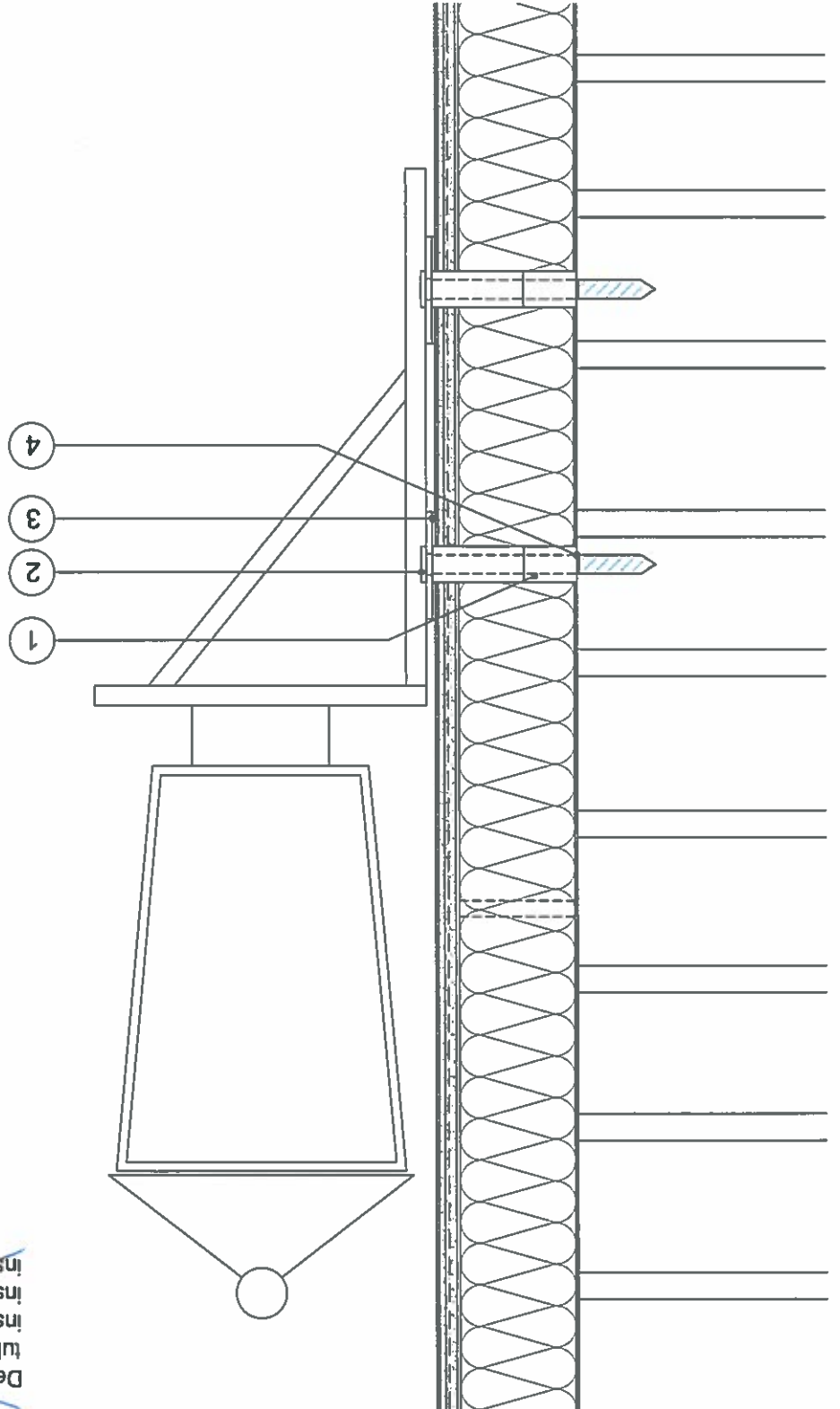
SWIFIX logo

- 1. ASHP
- 2. 120mm SWI-ST
- 3. SWI-EX Extension Tube cut to length
- 4. 10mm Threaded bar, fixed using Chemical Anchor Resin, 60-80 mm embedment.

Securing ASHP



1. SWI-ST tube and SWI-EX if depth exceeds 120mm.
2. Fixing installed through spacer into substrate.
3. Neoprene washer.
4. Fixing by Others (site-specific pull-out tests).



~~Dependant on depth required multiple EX tubes may be used. As tapered ensure installed correct way around. For ease of installation these can be secured using insulation tape to secure.~~

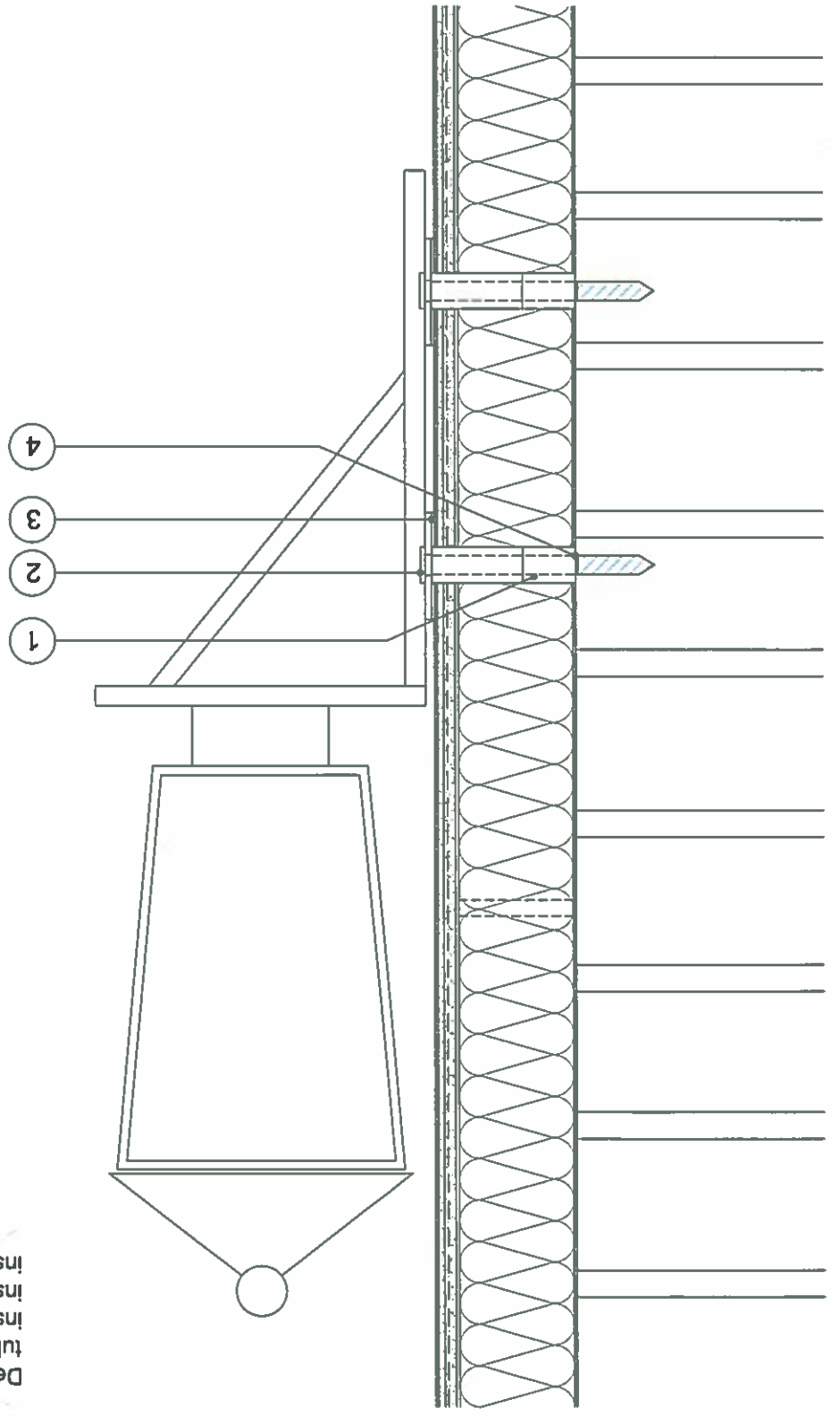
SWIFIX  
 Logo

EMI Pro, Insulation Systems Ltd.  
Kingston Business Centre Unit1  
Fullers Way South  
Chessington KT9 1DQ



SWIFIX

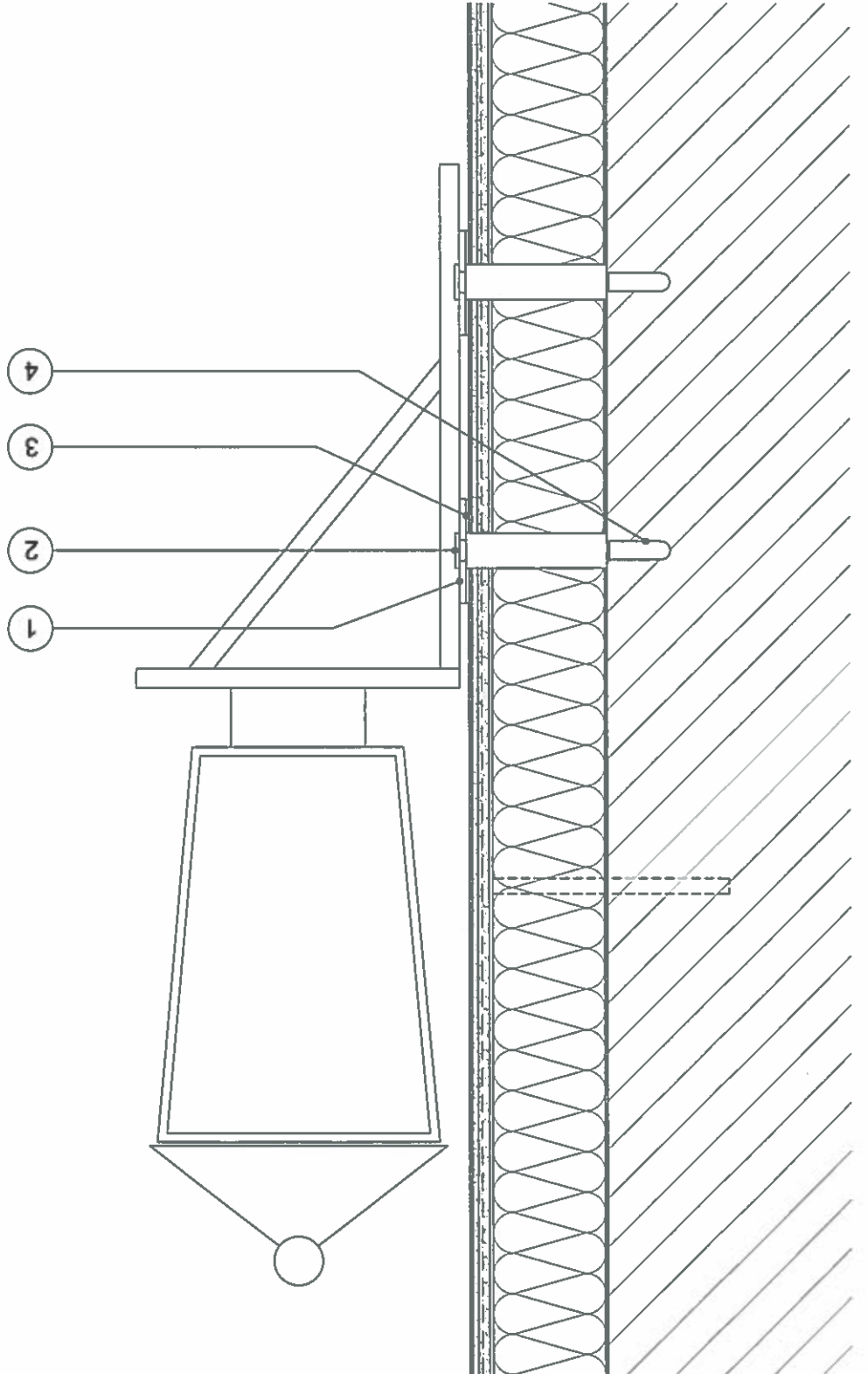
- 1. SWI-ST tube and SWI-EX if depth exceeds 120mm.
- 2. Fixing installed through spacer into substrate.
- 3. Neoprene washer.
- 4. Fixing by Others (site-specific pull-out tests).



Dependant on depth required multiple EX tubes may be used. As tapered ensure installed correct way around. For ease of installation these can be secured using insulation tape to secure.

Fitting for downpipes, soil  
and vent pipes, hanging baskets,  
hose reels, alarms, lights,  
gate & fence posts.

1. SWI-ST tube
2. Fixing installed through spacer into substrate
3. Neoprene washer
4. Fixing by Others



SWIFIX  
logo

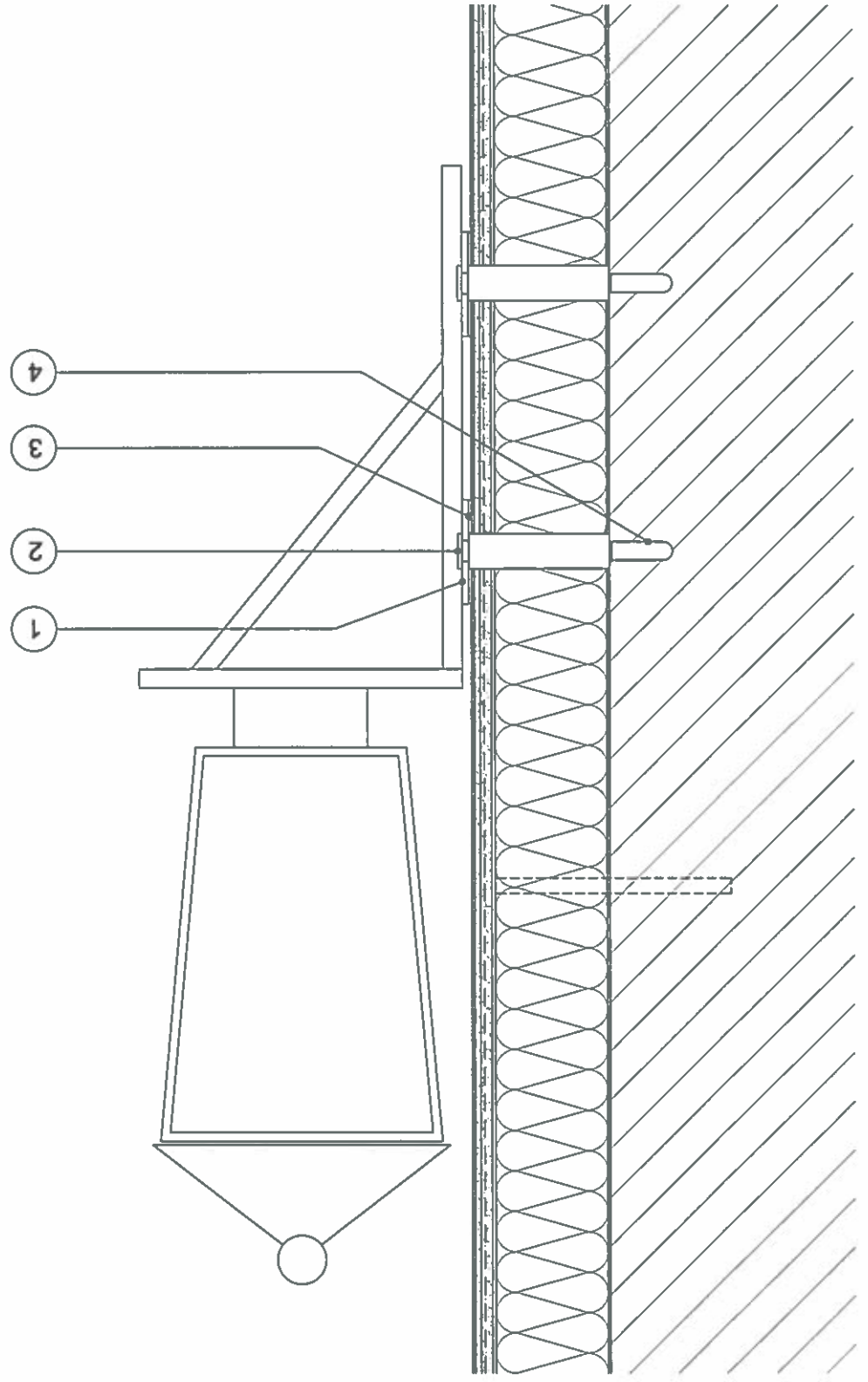
~~EMI Pro Insulation Systems Ltd.  
Kingsley Business Centre Unit 1  
Fullers Way South  
Chessington KT9 1DQ~~



DRAWING TITLE: SWIFIX FIXING DETAILS - SWI-ST

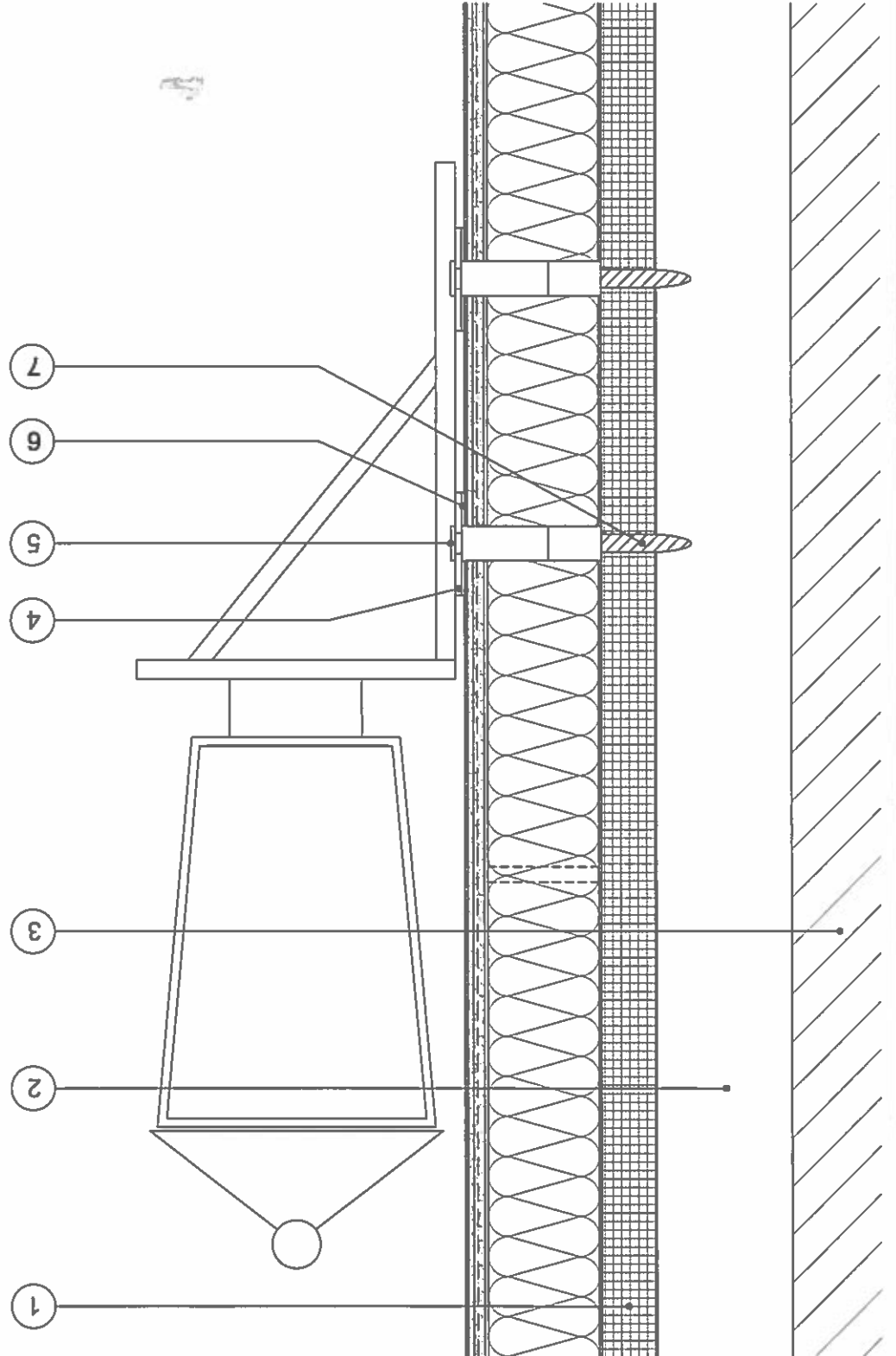
Fitting for downpipes, soil  
and vent pipes, hanging baskets,  
hose reels, alarms, lights,  
gate & fence posts  
SWIFIX

- 1. SWI-ST tube.
- 2. Fitting installed through spacer into substrate.
- 3. Neoprene washer.
- 4. Fitting by Others.



DRAWING TITLE: SWI-FIX FIXING DETAILS OSB SWI-ST 120mm plus

1. 12.5mm CP Board.
2. Void.
3. Metzec.
4. SWI-ST tube and SWI-EX if depth exceeds 120mm.
5. Fixing installed through spacer into substrate.
6. Neoprene washer.
7. Fixing by Others (site-specific pull-out tests).



VERSION 1 - EWIPRO

SWIFIX

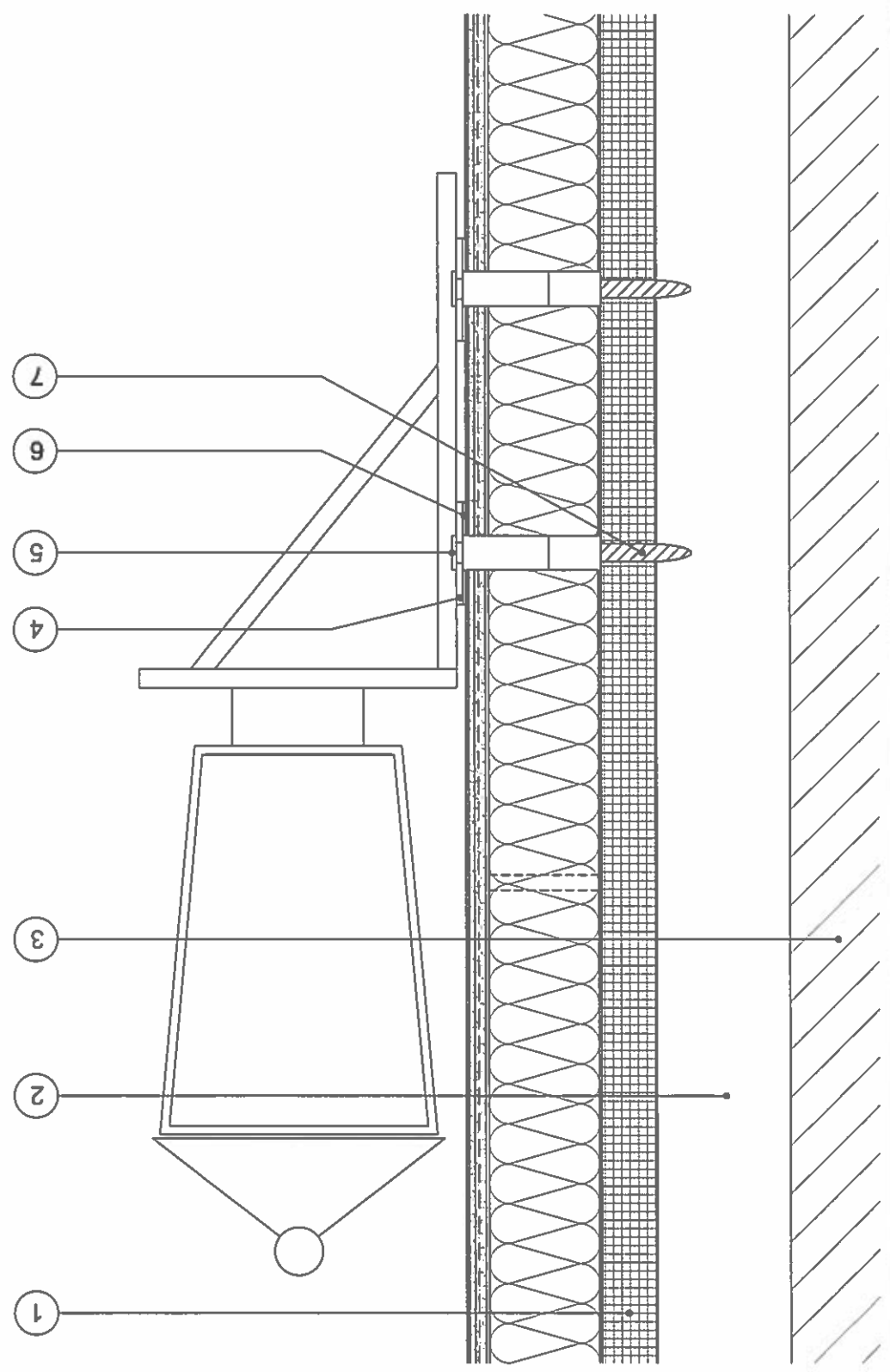
DRAWING TITLE: SWI-FIX FIXING DETAILS OSB SWI-ST 120mm plus

EMI Pro Insulation Systems LTD.  
Kingston Business Centre Unit 1  
Fullers Way South  
Chessington KT9 1DQ



SWIFIX

1. 12.5mm CP Board.
2. Void.
3. Metzec.
4. SWI-ST tube and SWI-EX if depth exceeds 120mm.
5. Fixing installed through spacer into substrate.
6. Neoprene washer.
7. Fixing by Others (site-specific pull-out tests).



Version 2 - SWIFIX

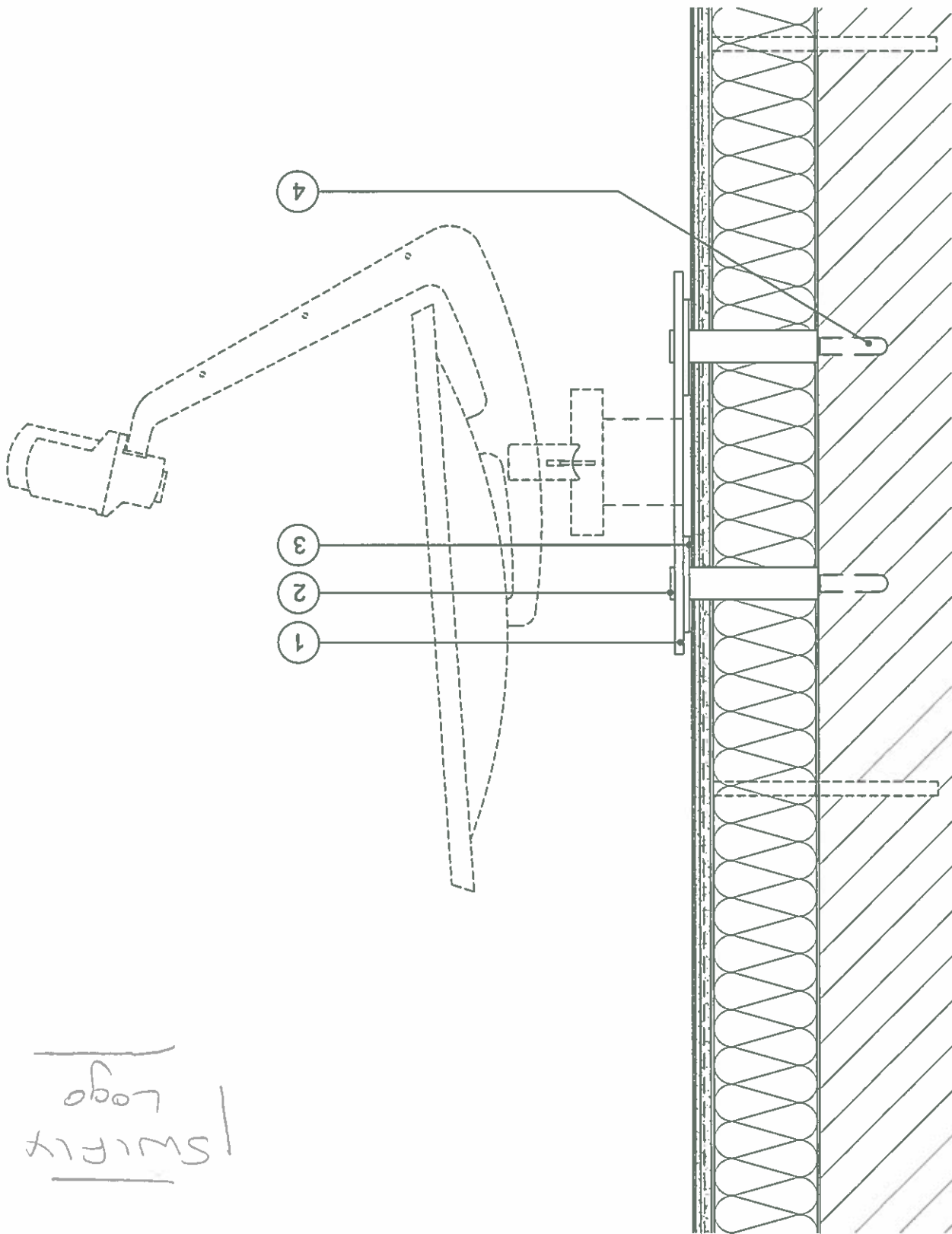


EMI Pro Insulation Systems Ltd,  
Kingston Business Centre Unit 11,  
Fullers Way South  
Chessington KT9 1DQ



- 1. SWI-SP satellite fixing plate.
- 2. Fixing through spacer into substrate.
- 3. Neoprene washer.
- 4. Fixing by Others.

Fixing plate for a  
standard satellite dish



SWIFIX  
Logo

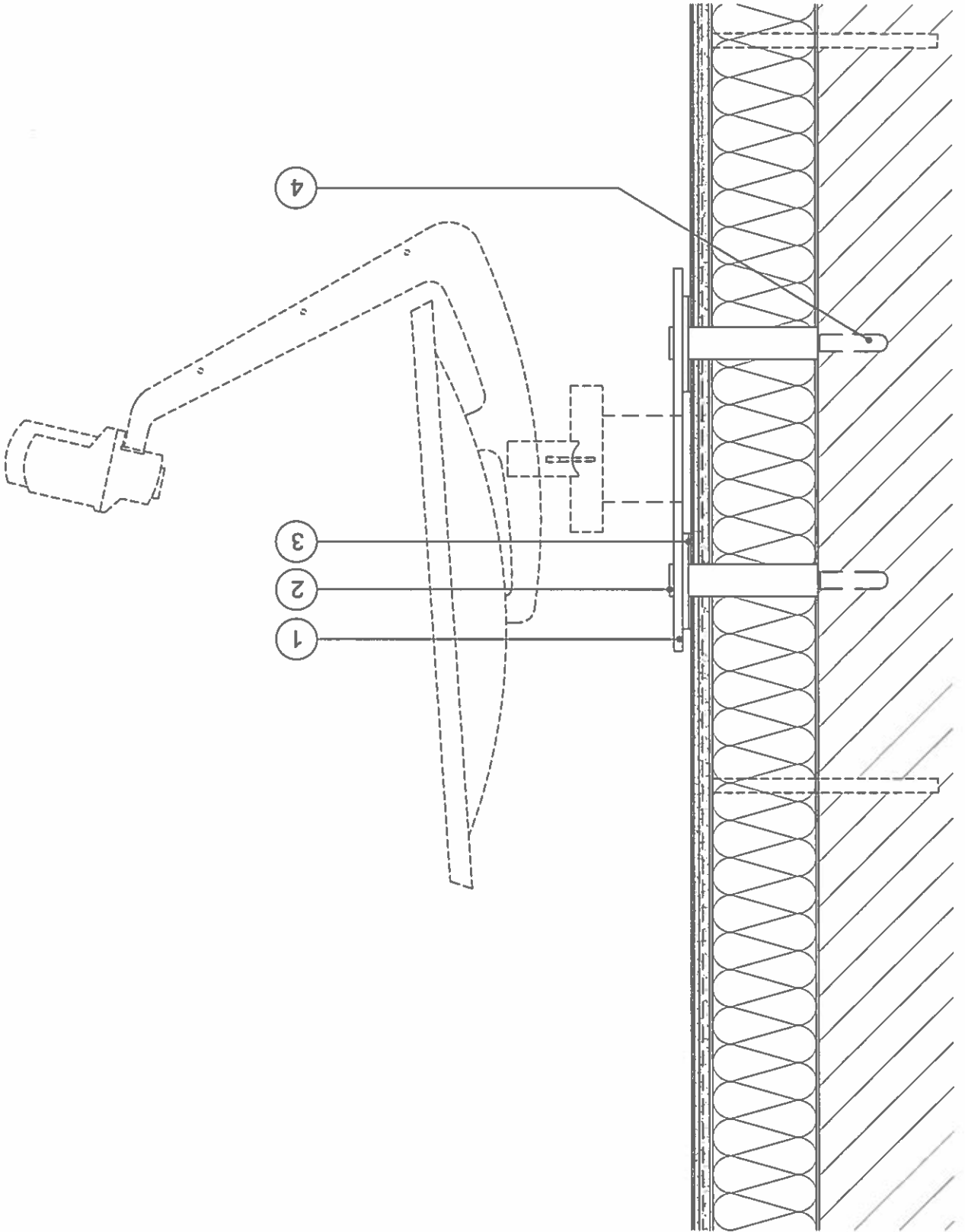
EMI Pro Insulation Systems Ltd.  
Kingston Business Centre Unit 1  
Fulmers Way South  
Chessington KT9 1DQ



- 1. SWI-SP satellite fixing plate.
- 2. Fixing through spacer into substrate.
- 3. Neoprene washer.
- 4. Fixing by Others.

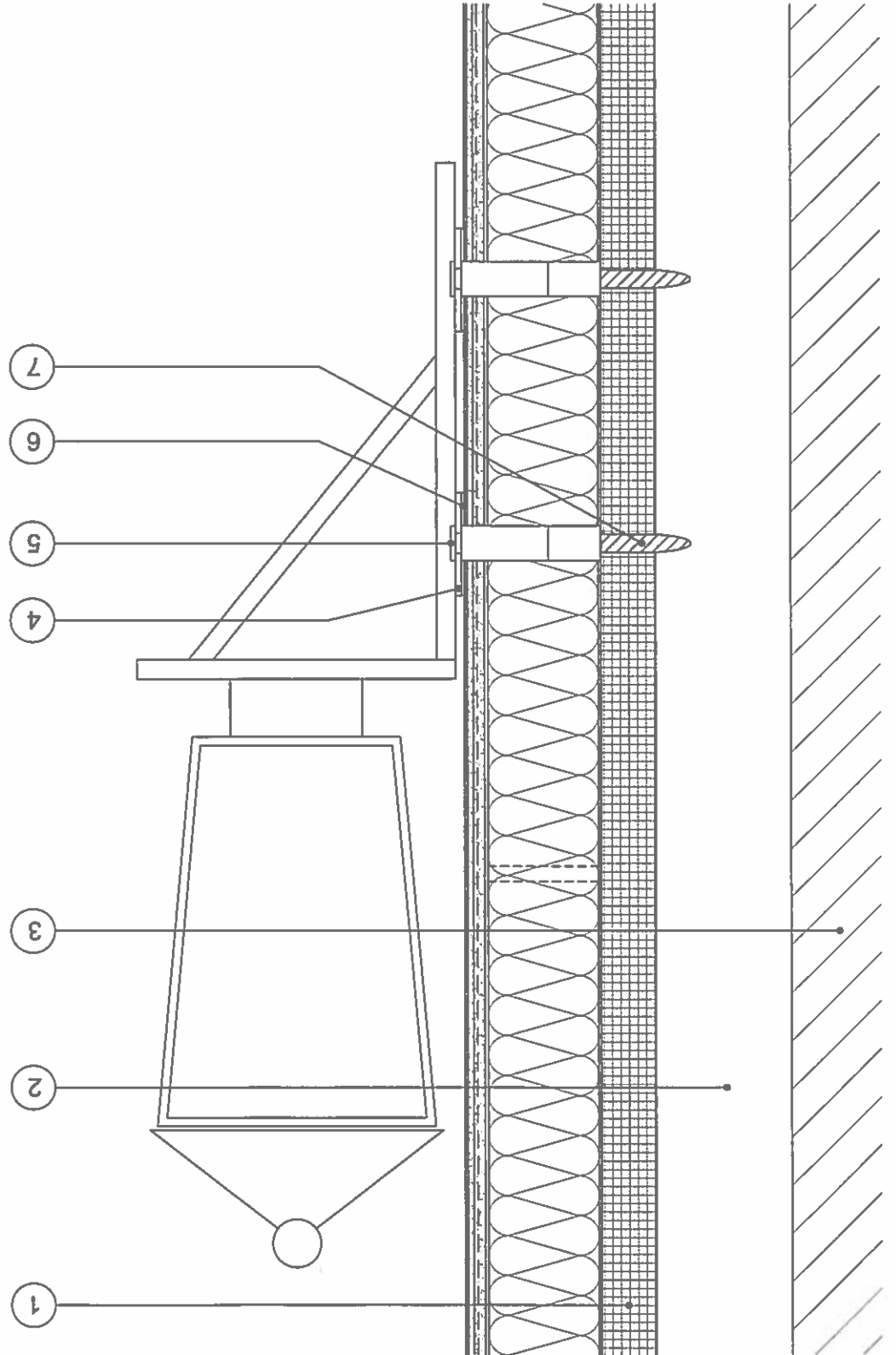
Fitting plate for a  
Standard satellite  
dish

SWIFIX



DRAWING TITLE: SWI-FIX FIXING DETAILS SWI-ST 120mm plus

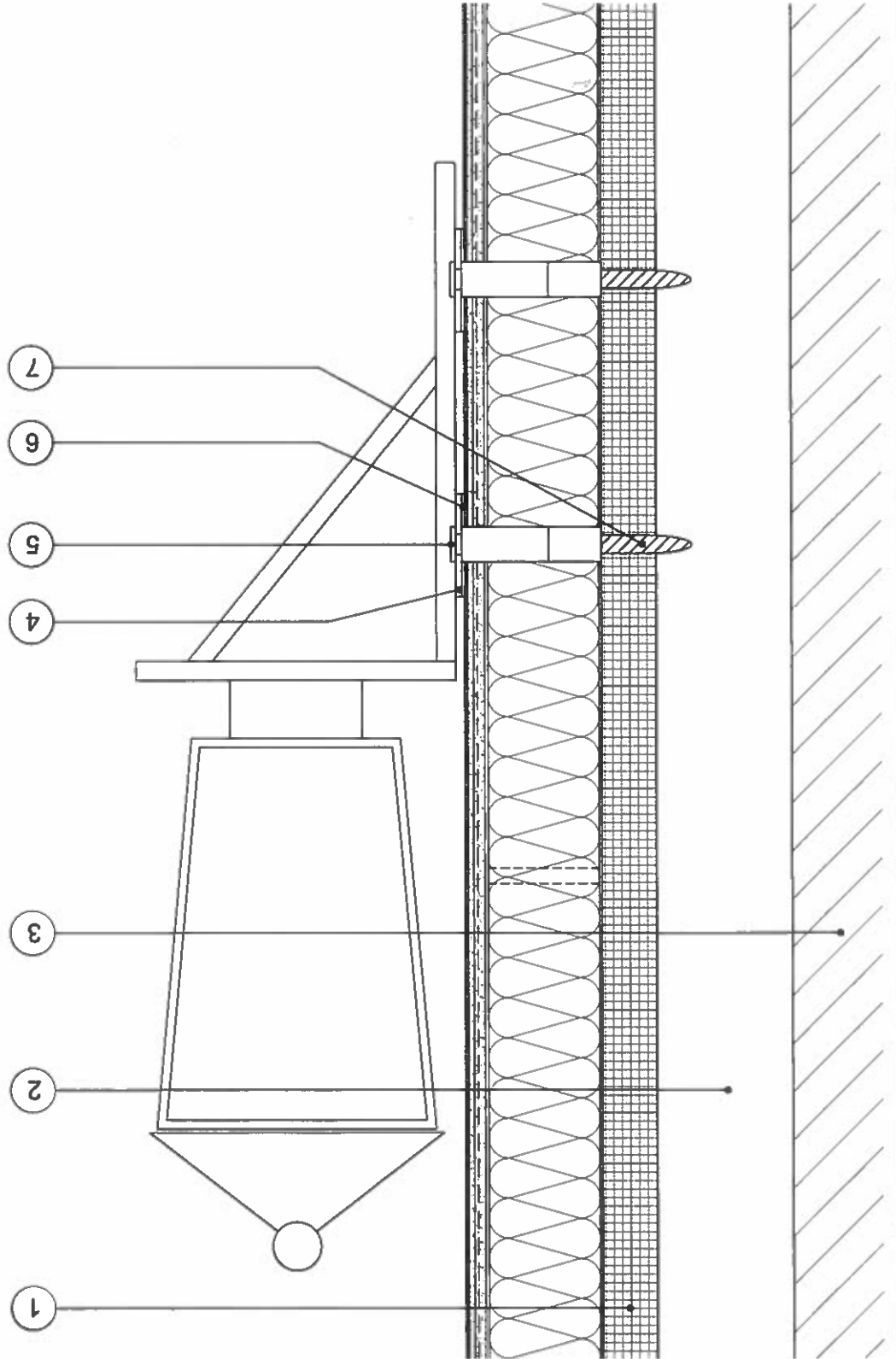
- 1. 12.5mm CP Board.
- 2. Void.
- 3. Metzac.
- 4. SWI-ST tube and SWI-EX if depth exceeds 120mm.
- 5. Fixing installed through spacer into substrate.
- 6. Neoprene washer.
- 7. Fixing by Others (site-specific pull-out tests).



1 SWI-ST /  
120mm

DRAWING TITLE: SWI-FIX FIXING DETAILS SWI-ST 120mm plus

- 1. 12.5mm CP Board.
- 2. Void.
- 3. Metzec.
- 4. SWI-ST tube and SWI-EX if depth exceeds 120mm.
- 5. Fixing installed through spacer into substrate.
- 6. Neoprene washer.
- 7. Fixing by Others (site-specific pull-out tests).



EMI Pro Insulation Systems Ltd,  
 Kingston Business Centre Unit11  
 Fuljers Way South  
 Chessington KT9 1DQ



SWIFIX  
 Logo ↑

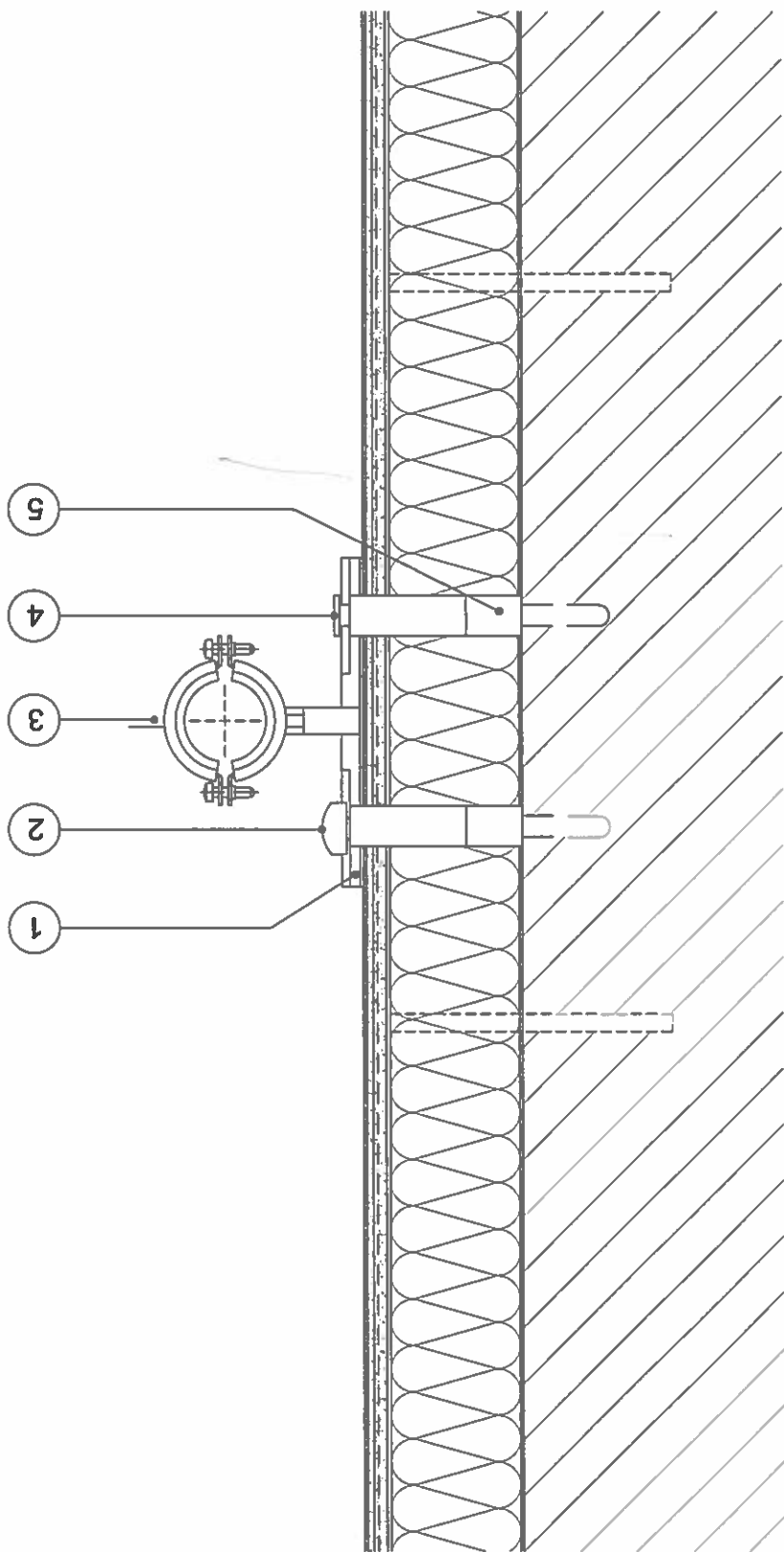
DRAWING TITLE: SWI-FIX FIXING DETAILS SWI-FIX GP GAS PIPE

EMI Pro Insulation Systems Ltd,  
Kingston Business Centre Unit1,  
Fullers Way South  
Chessington KT9 1DQ



- 1. Neoprene washer.
- 2. Screw cap.
- 3. To DIN 4109 M 8 Dimension 3/4" Diameter Range 26 - 28 mm.
- 4. 300mm Rawplug FF1.
- 5. SWI-EX.

Fitting for gas pipes



SWIFIX logo

DRAWING TITLE: SWI-FIX FIXING DETAILS SWI-FIX GP GAS PIPE

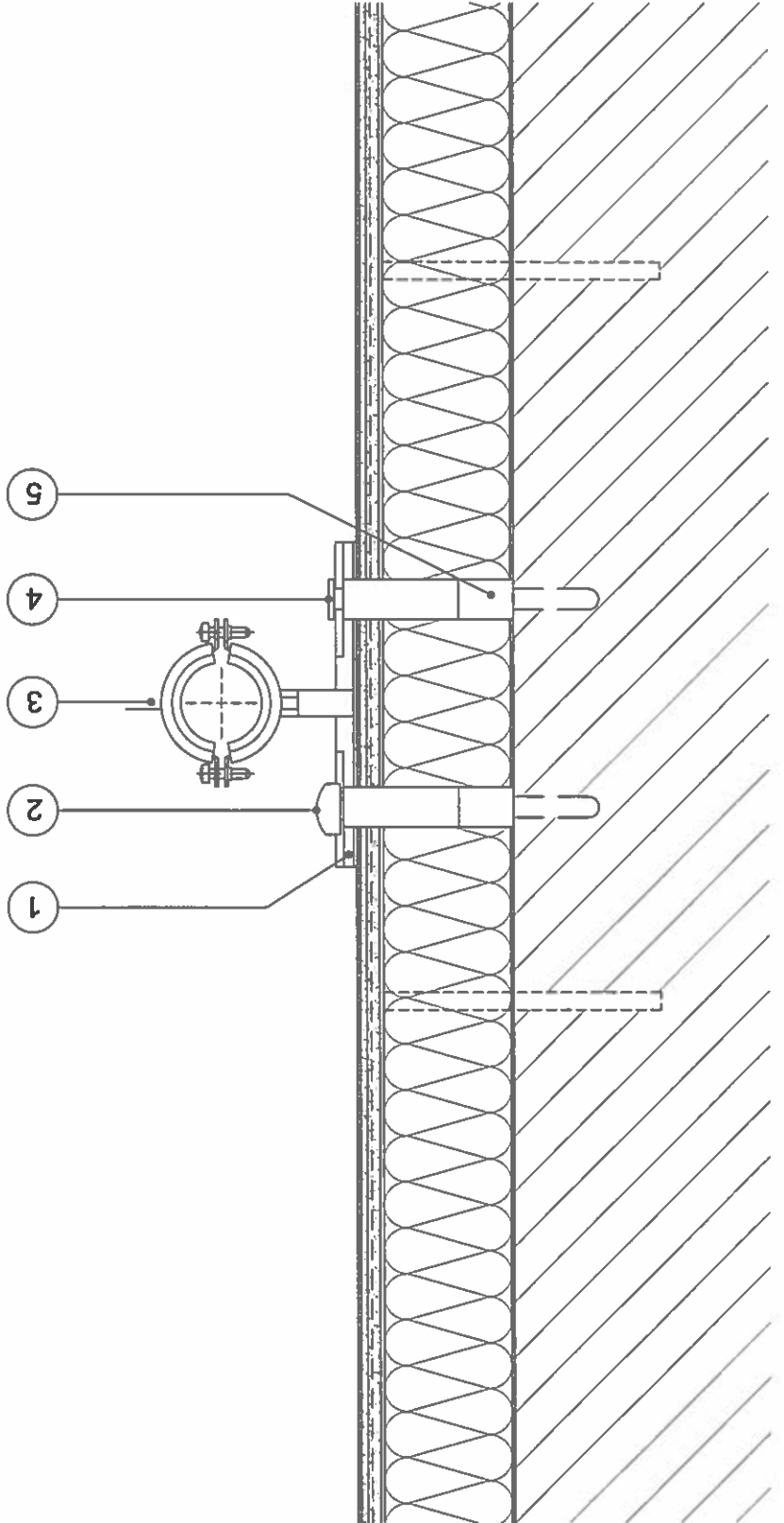
EMI Pro Insulation Systems Ltd.  
Kingston Business Centre Unit 1  
Fullers Way South  
Chessington KT9 1DQ



SWIFIX

Fixing for gas pipes

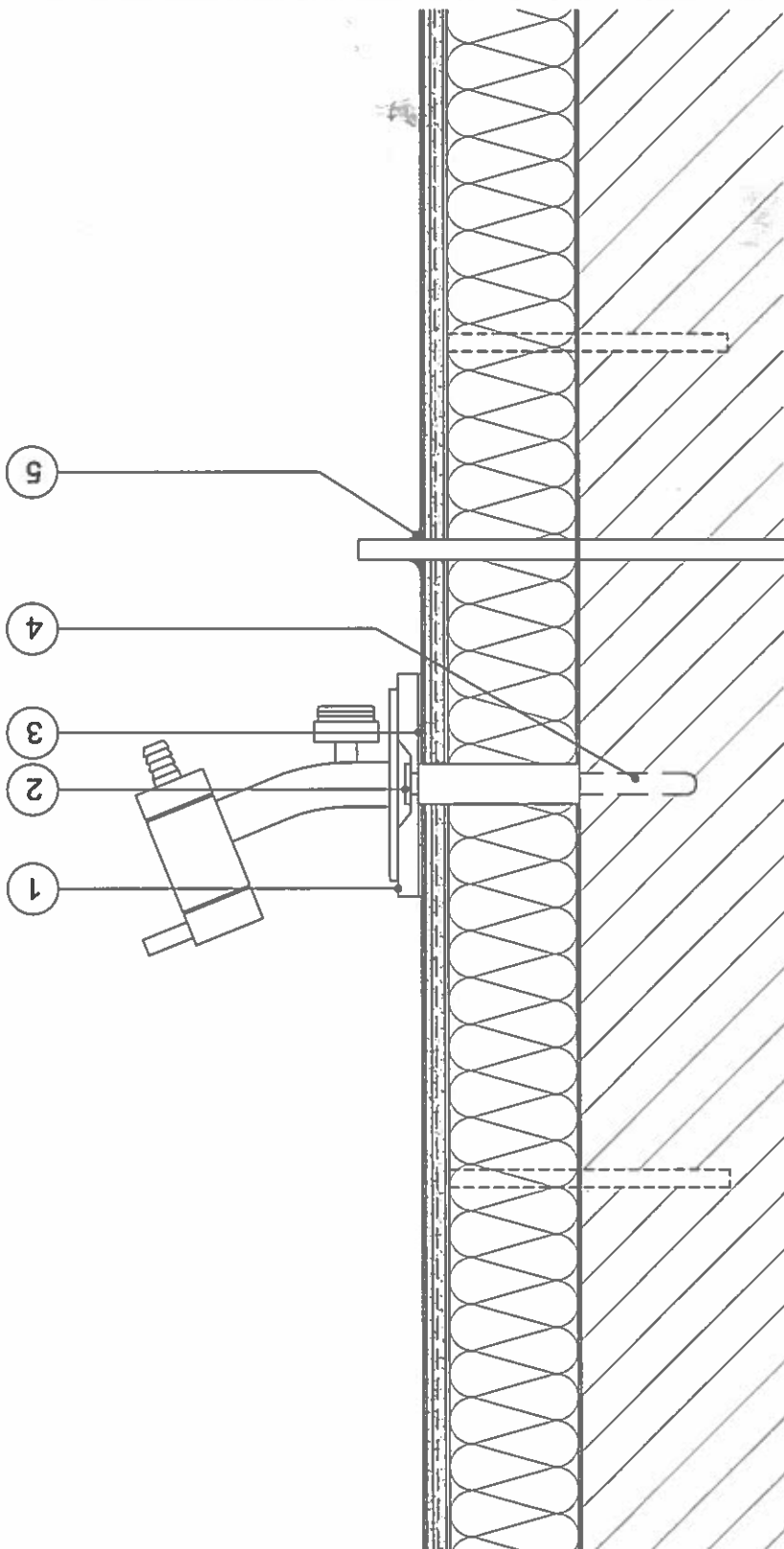
- 1. Neoprene washer.
- 2. Screw cap.
- 3. To DIN 4109 M 8 Dimension 3/4" Diameter Range 26 - 28 mm.
- 4. 300mm Rawplug FF1.
- 5. SWI-EX.



Version 2 - SWIFIX

- 1. SWI-TT tap fixing point.
- 2. Fixing through spacer into substrate.
- 3. Neoprene washer.
- 4. Fixing by others.
- 5. Water supply pipe.

FITTING for external taps.



SWIFIX logo

DRAWING No: EP - 008

DATE: 26-08-2022

SCALE: NTS

REFERENCES:

DRAWING TITLE: SWIFIX FIXING DETAILS SWI-TT

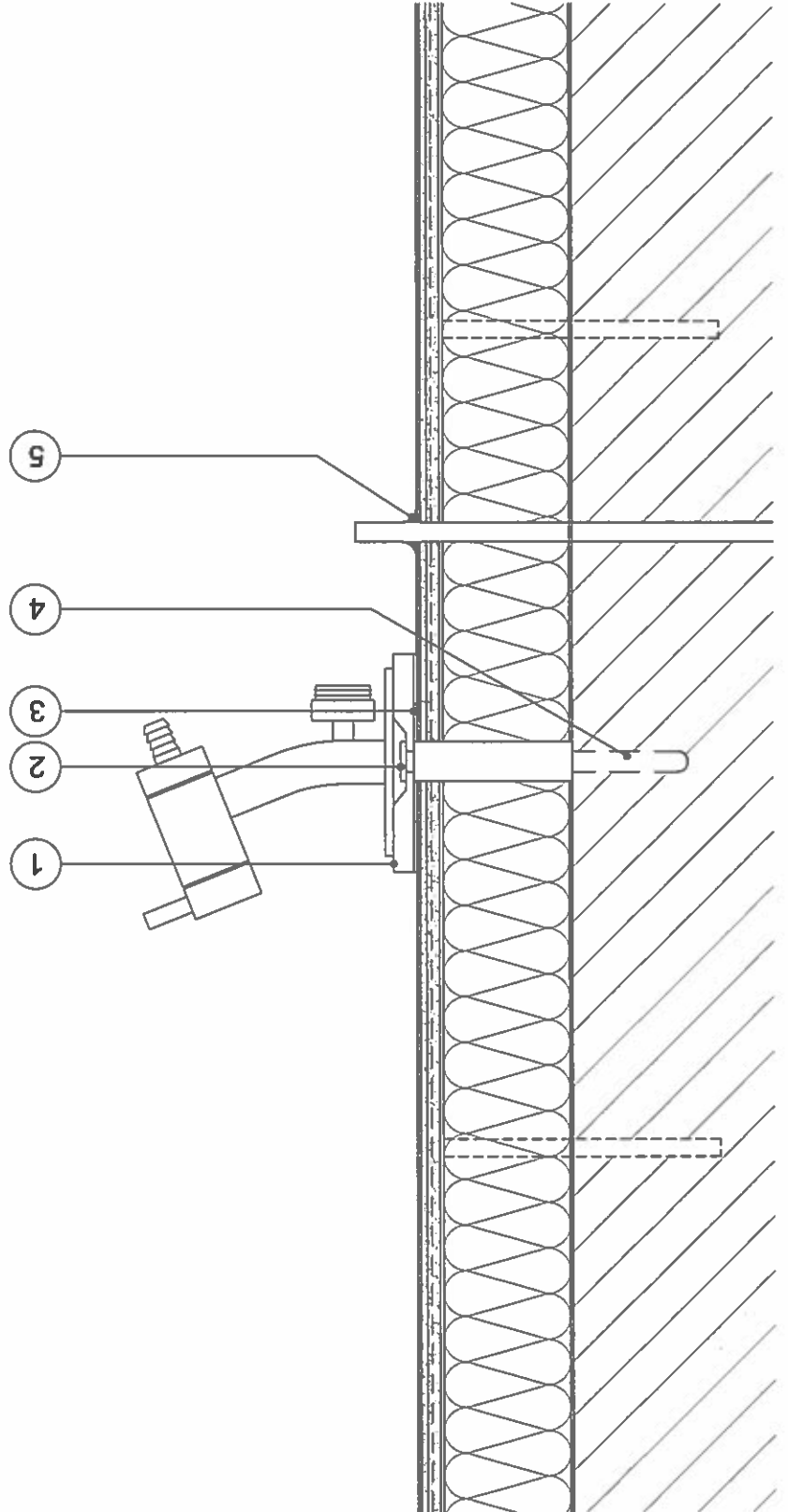
~~EMI Pro Insulation Systems Ltd.  
Kingston Business Centre Unit 1  
Fullers Way South  
Chessington KT9 1DQ~~

~~External wall insulation systems  
**EWIPRO**~~

Swifix logo

- 1. SWI-TT tap fixing point.
- 2. Fixing through spacer into substrate.
- 3. Neoprene washer.
- 4. Fixing by others.
- 5. Water supply pipe.

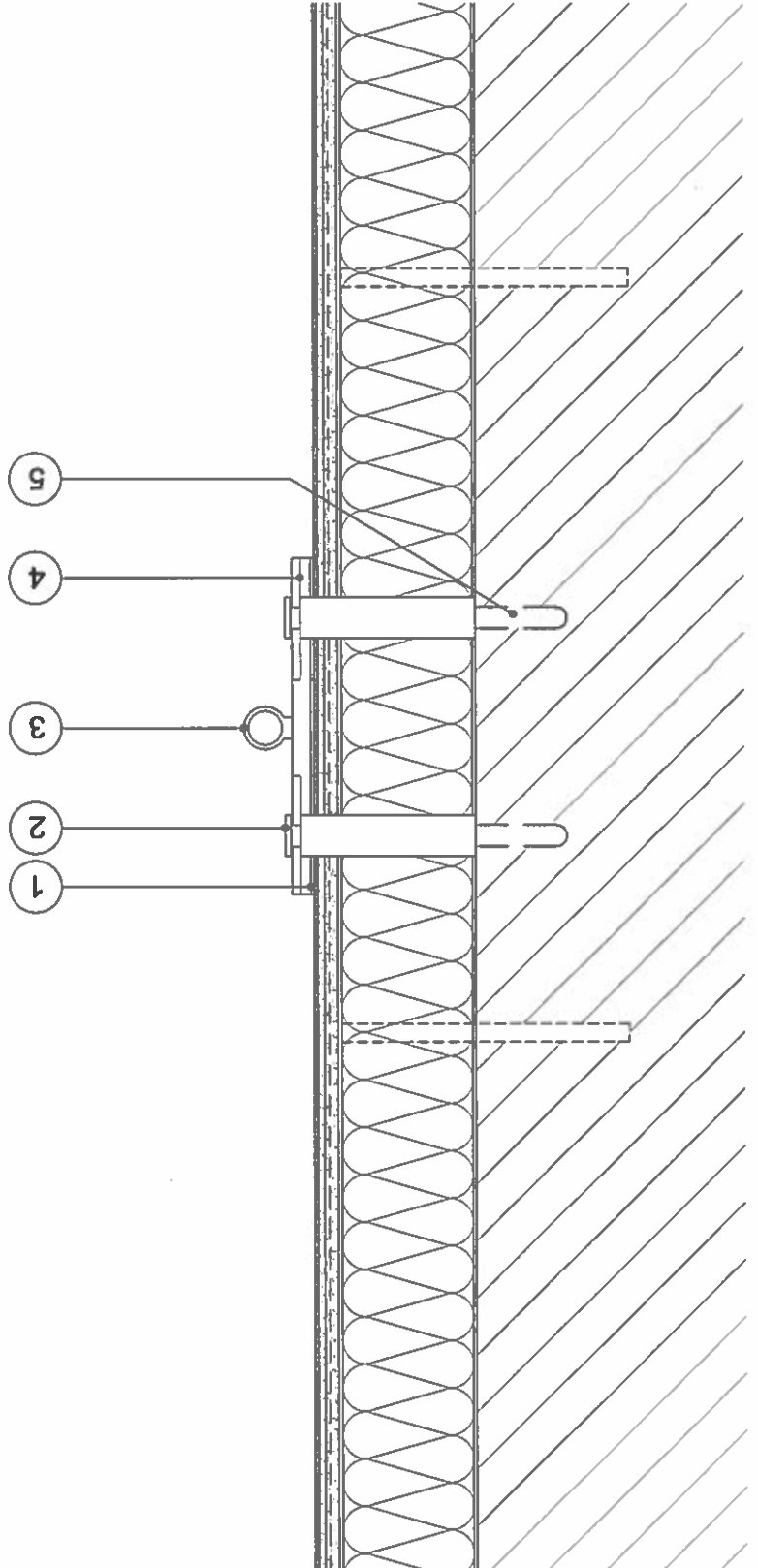
Fixing for external taps.





1. Neoprene washer.
2. Fixing through spacer into substrate.
3. SWI-WL Eyelet washing line / fixing point.
4. SWI-WL plate.
5. Fixing by others.

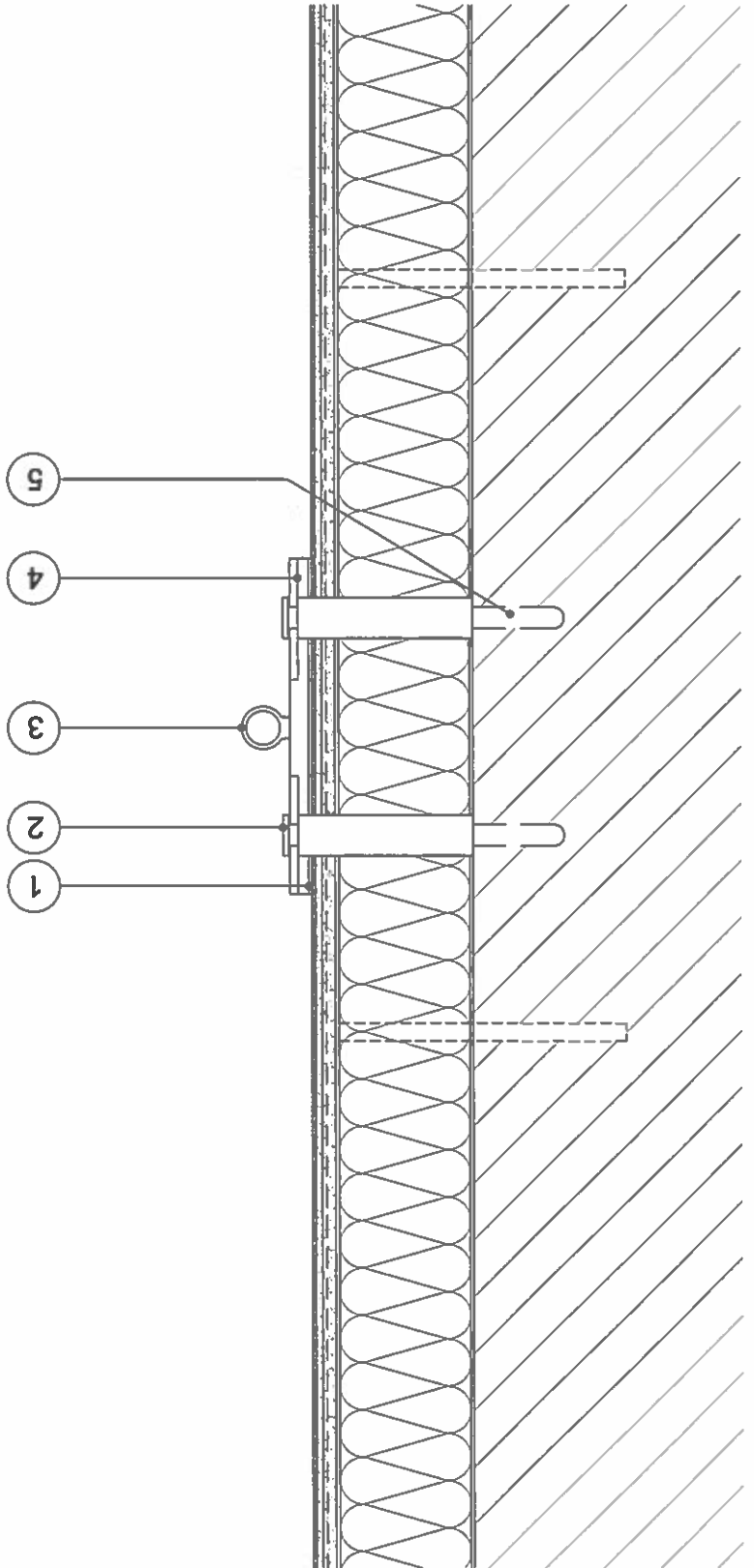
Fixing for securing  
cables, washing lines,  
pigeon netting and  
hanging baskets.



SWIFIX  
logo

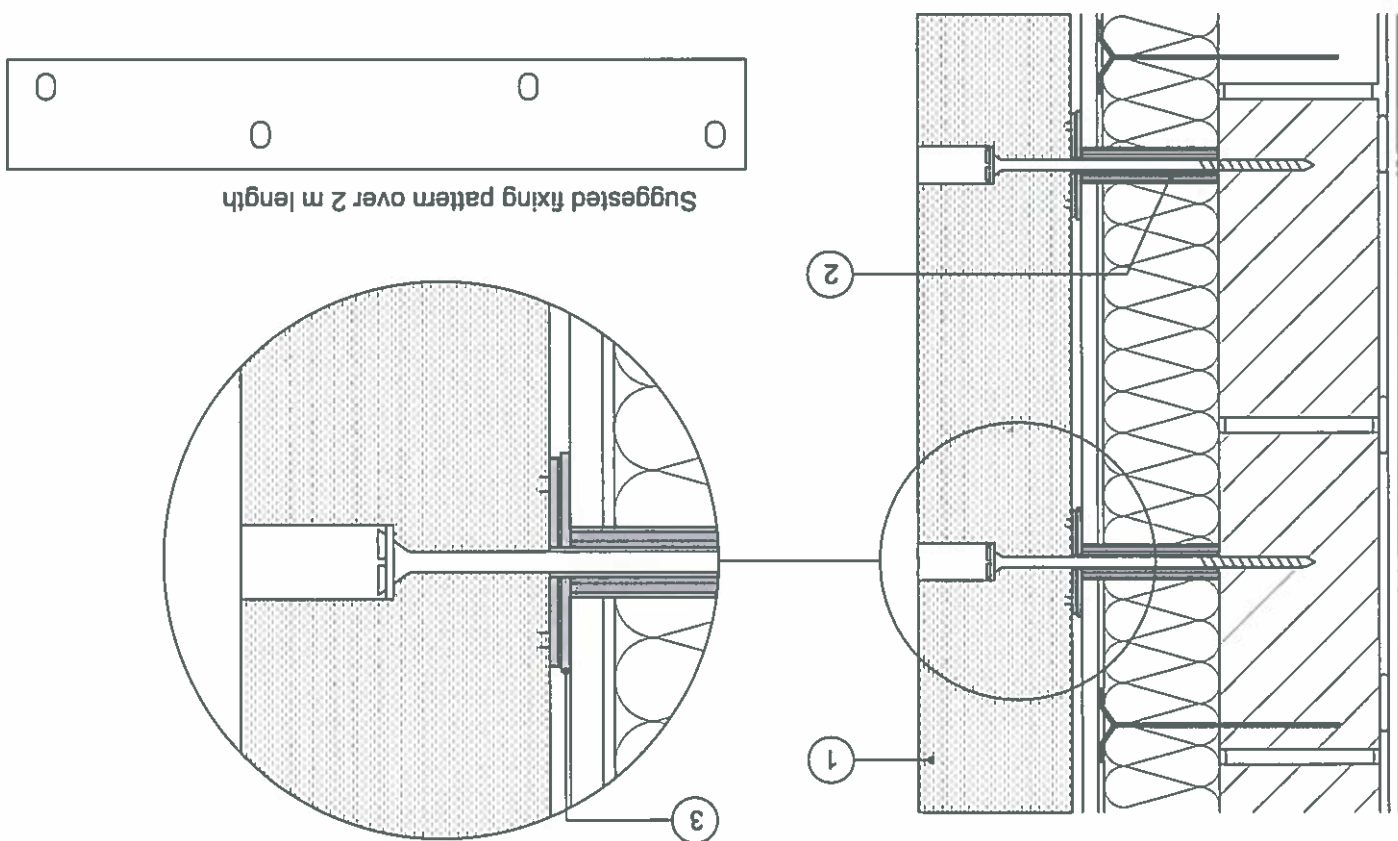
- 1. Neoprene washer.
- 2. Fixing through spacer into substrate.
- 3. SWI-WL Eyelet washing line / fixing point.
- 4. SWI-WL plate.
- 5. Fixing by others.

Fitting for securing  
cables, washing lines,  
pigeon netting and  
hanging baskets.  
Swifix Logo



- 1. Timber post
- 2. Spacer tube to be cut to length to suit on site condition.
- 3. Thermodynamic gasket.

For fixings on fence or gate posts.



SWIFIX logo

EMI Pro Insulation Systems LTD.  
Kingston Business Centre Unit11  
Fullers Way South  
Chessington KT9 1DQ

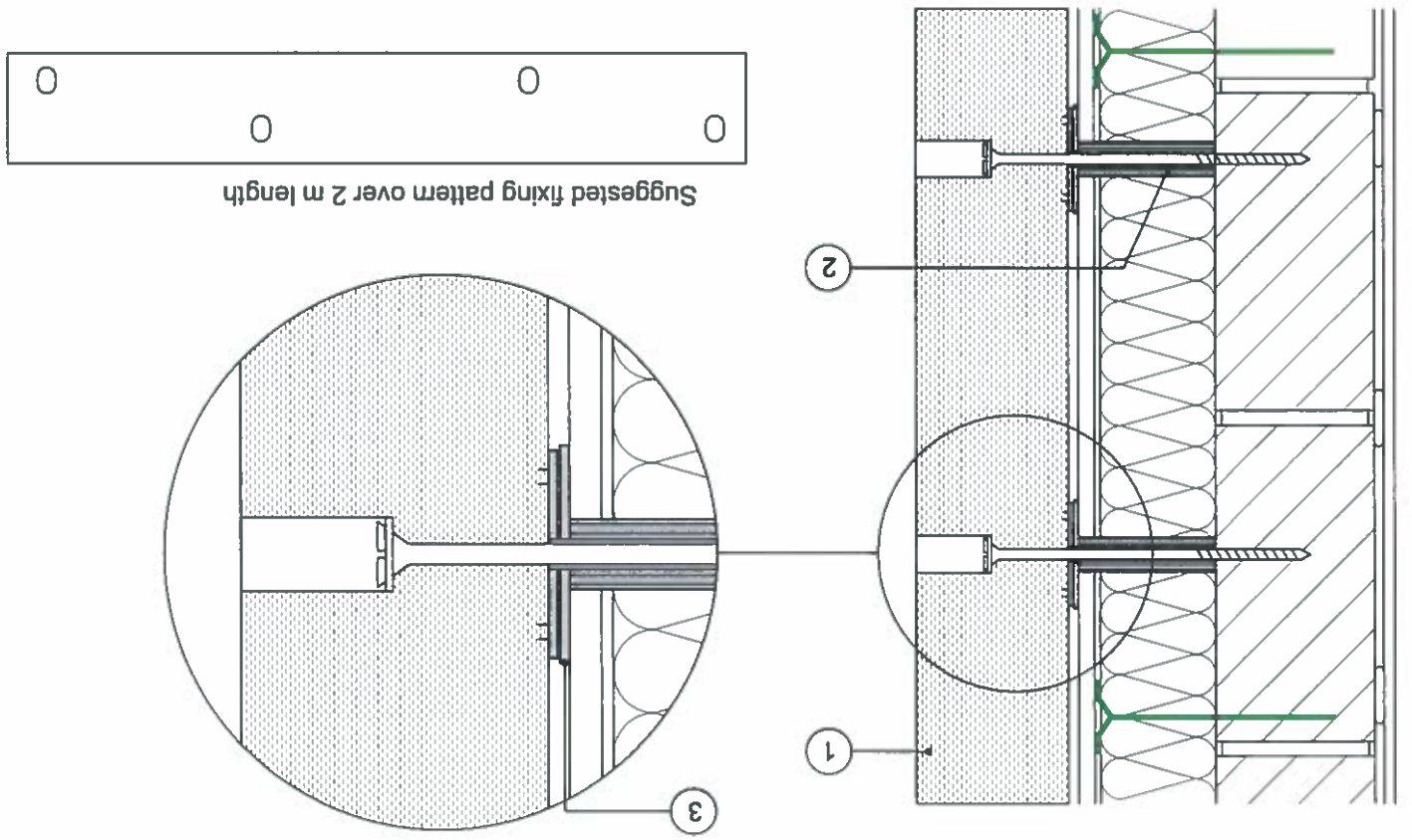


Logos

SWIFIX

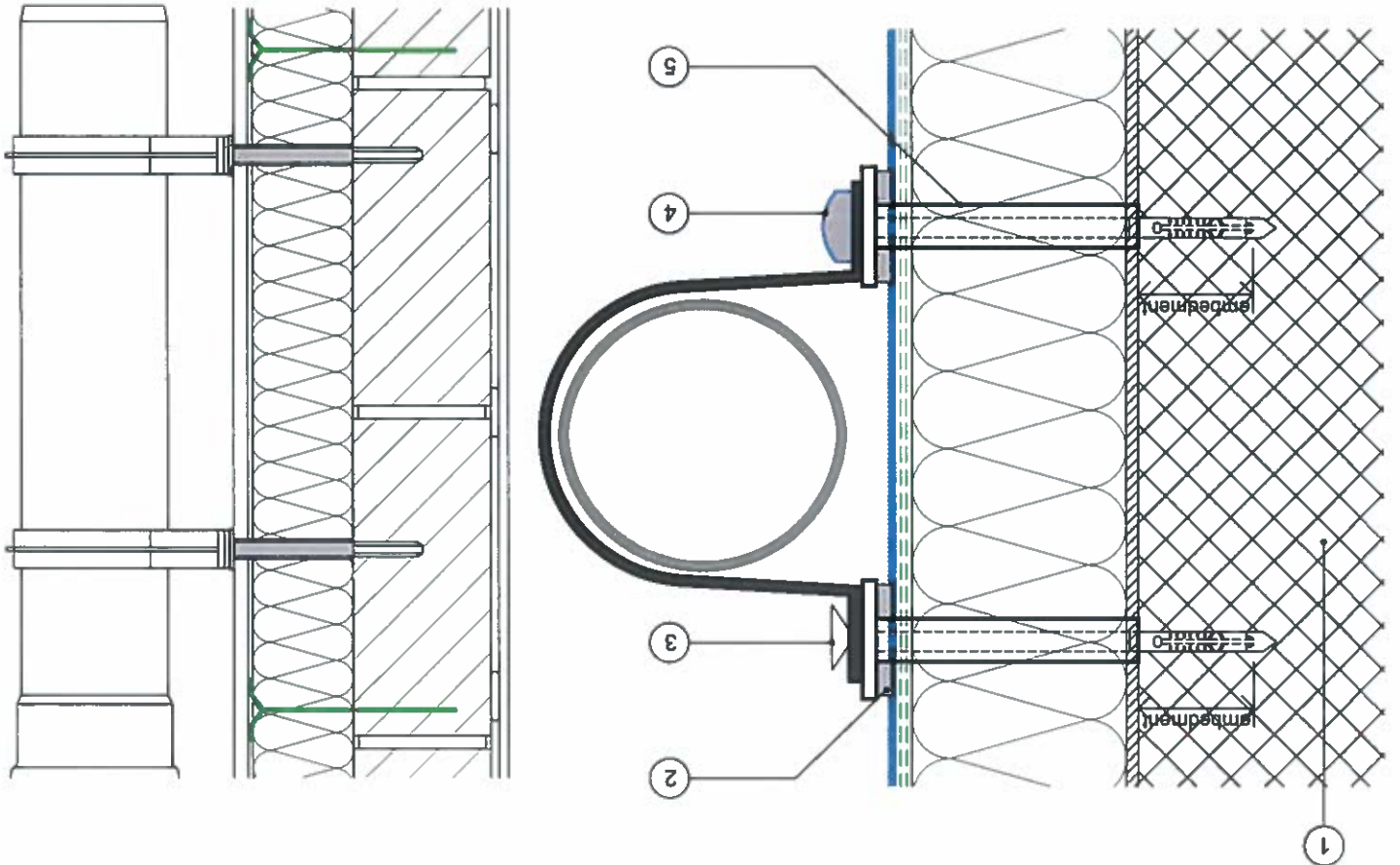
For fixings on fence or gate posts.

- 1. Timber post.
- 2. Spacer tube to be cut to length to suit on site condition.
- 3. Thermodynamic gasket.



- 1. Fixing.
- 2. Neoprene washer.
- 3. Fixing type dependent on substrate.
- 4. Srew cap cover.
- 5. SWI-ST.

Fixing for various sized pipe work



SWI-ST logo

DRAWING TITLE: SWI-ST RAINWATER GOODS

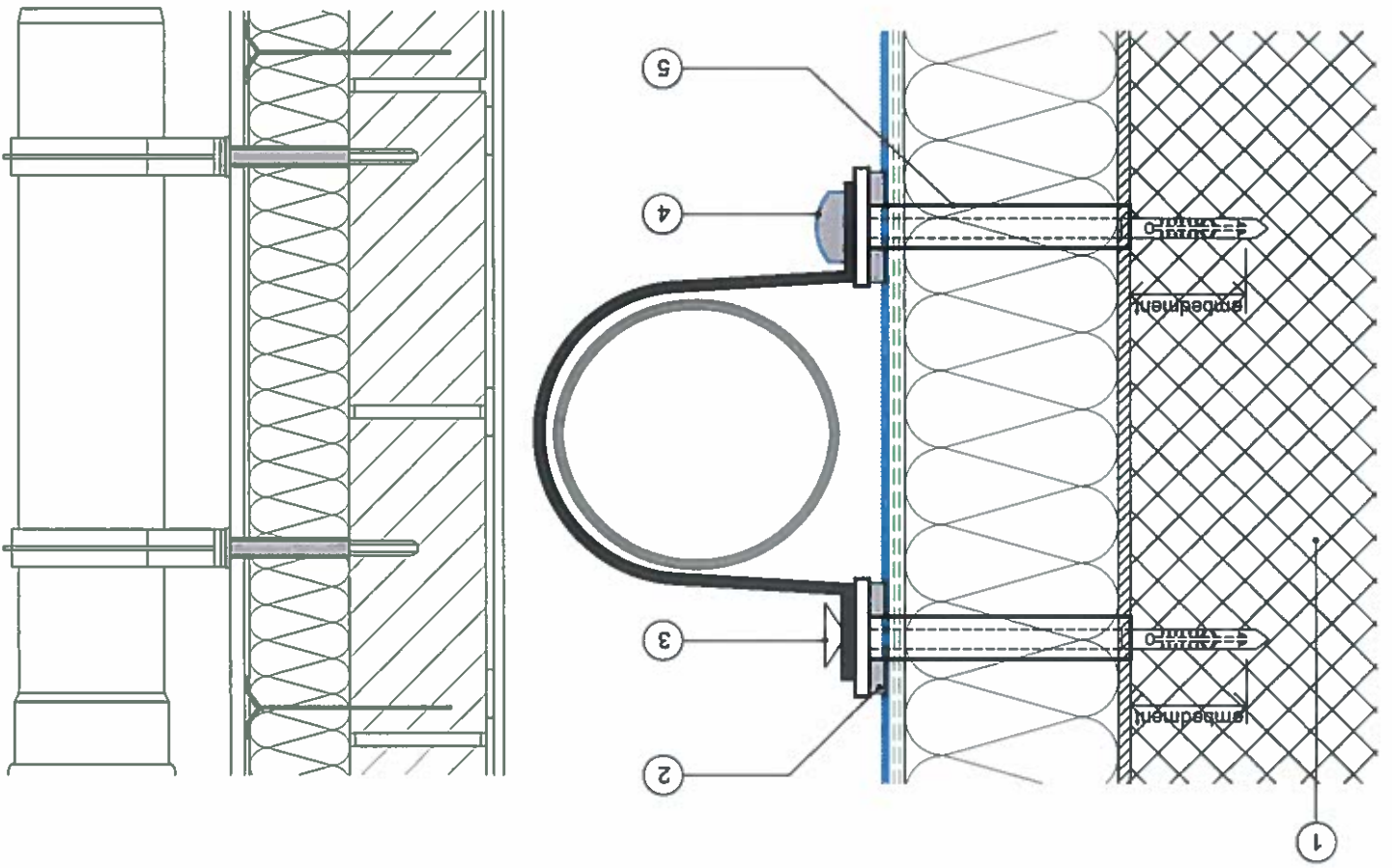
EMI Pro Insulation Systems Ltd.  
Kingspan Business Centre Unit 11  
Fullers Way South  
Chessington KT9 1DQ



- 1. Fitting.
- 2. Neoprene washer.
- 3. Fitting type dependent on substrate.
- 4. Srew cap cover.
- 5. SWI-ST.

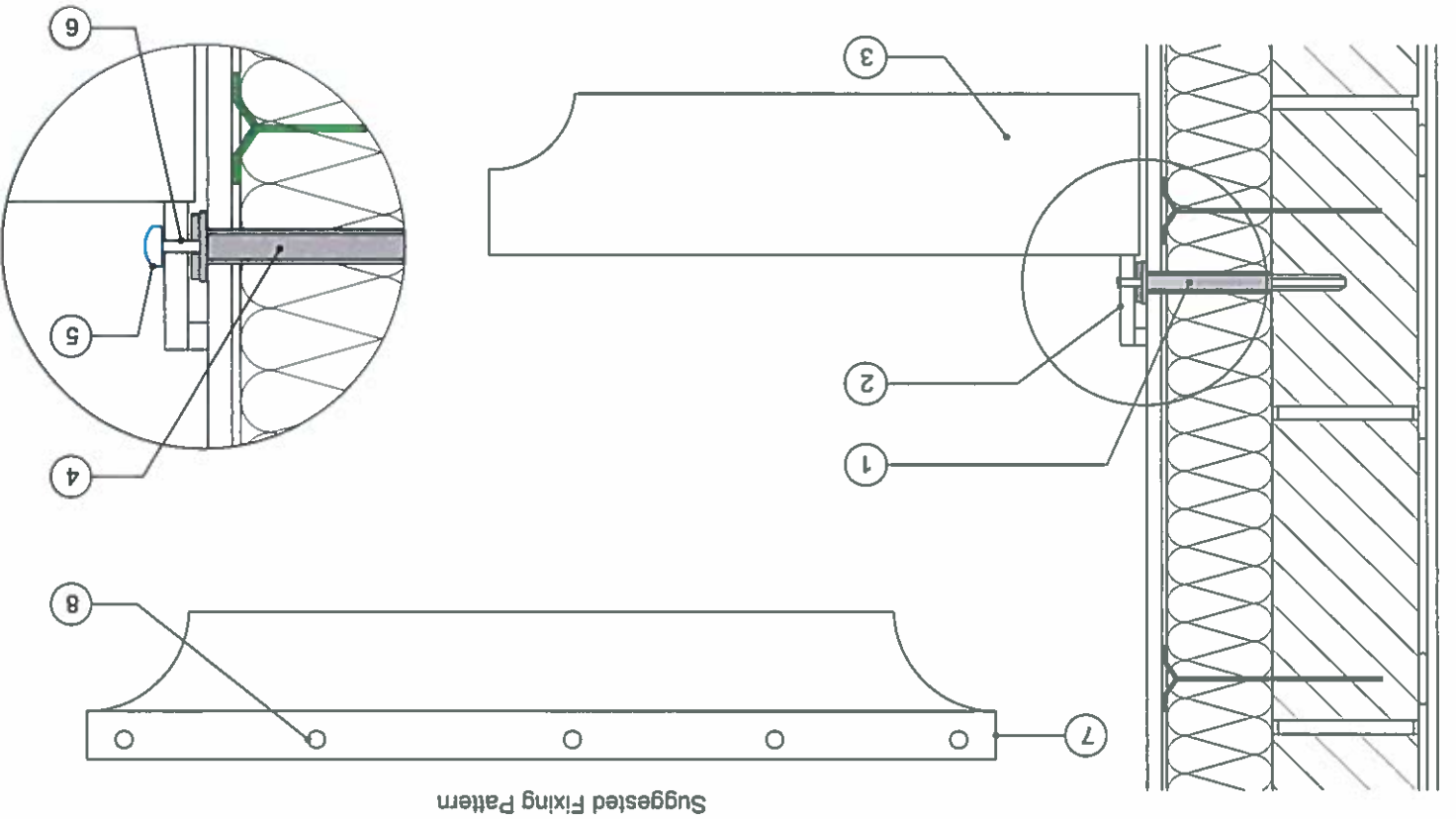
Fitting for various sized  
pipework

SWIFIX



1. SWI-ST Tube cut to length.
2. Fixing through upstand of canopy.
3. GRP Canopy.
4. SWI-ST.
5. Screw cap cover.
6. Fixing based on substrate to be secured to.
7. Upstand.
8. Pre drill upstand if required.

For fitting lights, alarms, signs,  
hanging baskets, BT & utility boxes,  
hose reels, hose numbers and  
canopies



Suggested Fixing Pattern

SWI-ST  
loop



EMI Pro Insulation Systems Ltd.  
Kingston Bussines Centre Unit11  
Fullers Way South  
Chessington KT9 1DQ



SWIFLX

1. SWI-ST Tube cut to length.
2. Fixing through upstand of canopy.
3. GRP Canopy.
4. SWI-ST.
5. Screw cap cover.
6. Fixing based on substrate to be secured to.
7. Upstand.
8. Pre drill upstand if required.

